
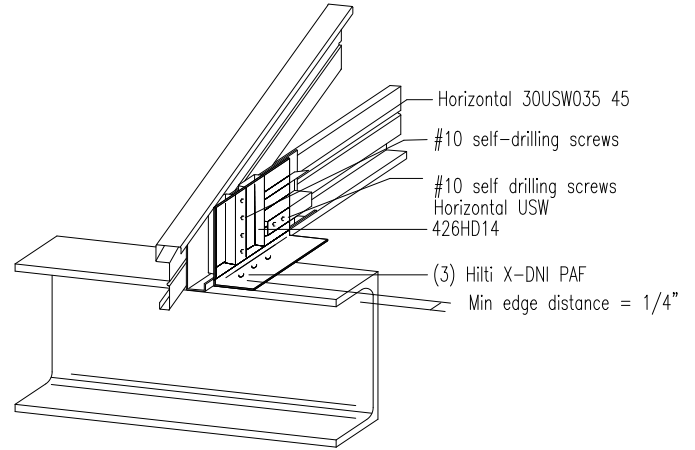
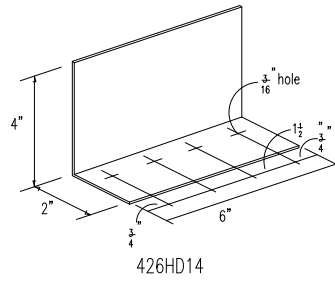
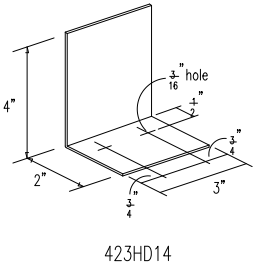
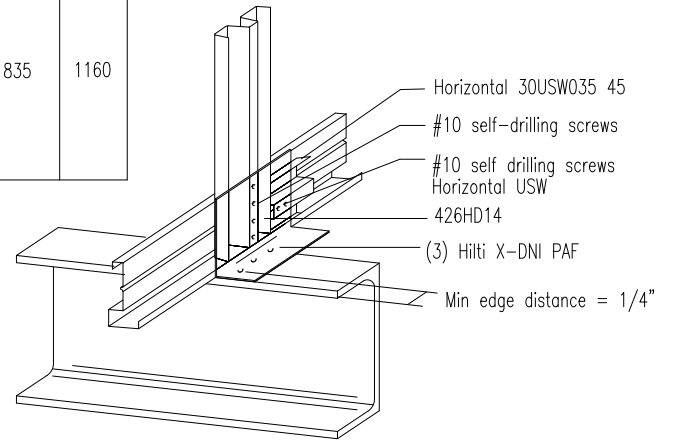


US2CH-1	ULTRA-SPAN TRUSS UPLIFT CONNECTION TO C CHANNEL 426HD14	
---------	--	---



MAXIMUM UPLIFT CAPACITY (LBS)				MAX. HORIZONTAL #10 sds HORIZ. USW		
Web Gage	#10 sds	1/4" Steel	3/8" Steel	1	2	3
035	3	970	970	510	835	1160
	4	1290	1290			
	5	1615	1615			
046	4	1780	2230			
	5	1780	2400			
057	4	1780	2400			



- 1) Web or heel stiffener attached with the greater of 4 - #10 sds or the quantity shown.
- 2) Attach horizontal 30USW035 45 to bottom chord w/ 3 - #10 sds
- 3) Minimum screw spacing = 9/16"
- 4) Uplift values include 1.33 increase for wind or seismic. No further increase is permitted. For uplifts not resulting from wind or seismic, reduce capacities to 75% of values shown.
- 4) See Fastener Manufacturer's catalog for installation requirements and application limits.
- 5) PAF fasteners must have 1" spacing.
- 6) When truss is 2-ply, connection applied to each ply.(Capacities doubled)
- 7) Equivalent fasteners may be substituted for these indicated.
- 8) Proper design of support for all reactions is the responsibility of qualified designer/engineer.