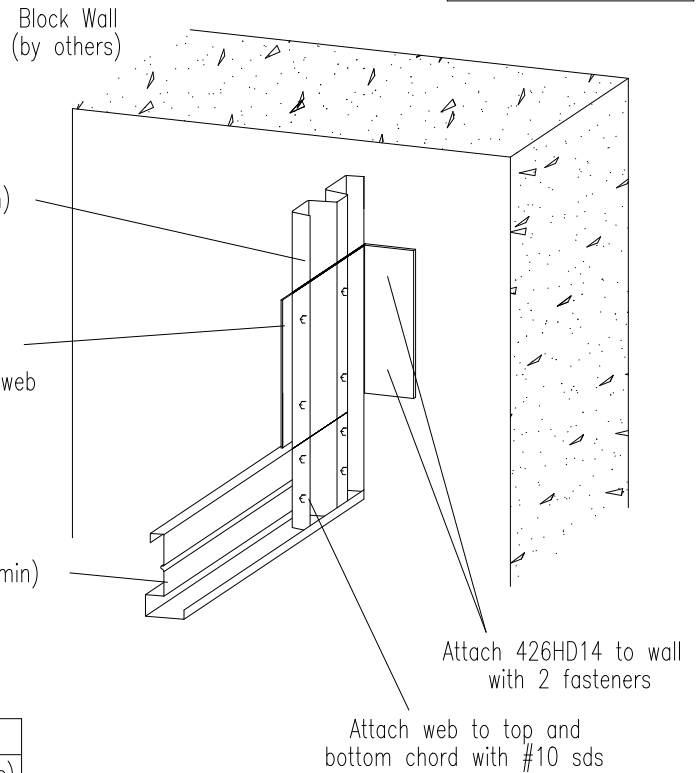


426HD14

1

5

980



Fastener	Embed (in)	Hollow block CMU		Grouted CMU	
		#10 sds ⁶⁾	Vert Load (lbs)	#10 sds ⁶⁾	Vert Load (lbs)
Hilti DNI	1	2	130	2	230
Hilti ALH	1.375	N/A	N/A	3	520
Hilti Kwik-Con II 3/16" dia	1	2	450	2	450
	1.75	3	550	3	550
Hilti Kwik-Con II 1/4" dia	1	5	980	4	920
	1.75	5	980	5	1000
Hilti Kwik-Bolt II 1/4" dia	1.125	N/A	N/A	4	740
	2	N/A	N/A	5	1140
Hilti Kwik-Bolt II 3/8" dia	1.625	N/A	N/A	7	1700
	2.5	N/A	N/A	8	1974

- 1) Reference manufacturer's catalog for proper installation of fasteners
- 2) Vertical load applies to both gravity and wind loads. No further increase is permitted.
- 3) Install fasteners through outer most holes provided in 426HD14
- 4) Minimum spacing of fasteners = 4-1/2"
- 5) Minimum spacing of #10 screws = 9/16"
- 6) Screws shown in chart are for the end vertical attachment to top chord, bottom chord and to the 426HD14.