
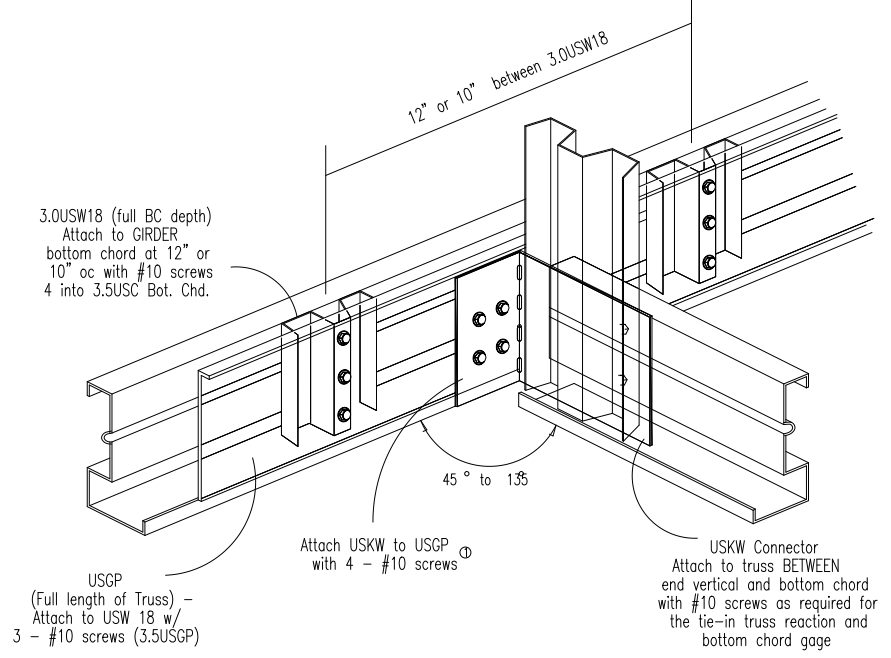


US2US-1

ULTRA-SPAN TRUSS TO TRUSS CONNECTION
USKW with USGP

USW Spacing (in)	Allowable Tie-In Truss Reaction (lbs)			
	Tie-in Truss bottom chd #10's	3.5USCP w/ 3.5" USKW		
		35USC035	35USC046	35USC057
12	4	970	1600	1600
	6	1600		
10	4	970	1670	1900
	6	1450	1900	
	8	1900		

*Patent Pending

TARGET SCALE: 6" = 1'-0"

Arcat file no.: 05401035

(Mfr file no.: US2US-1)