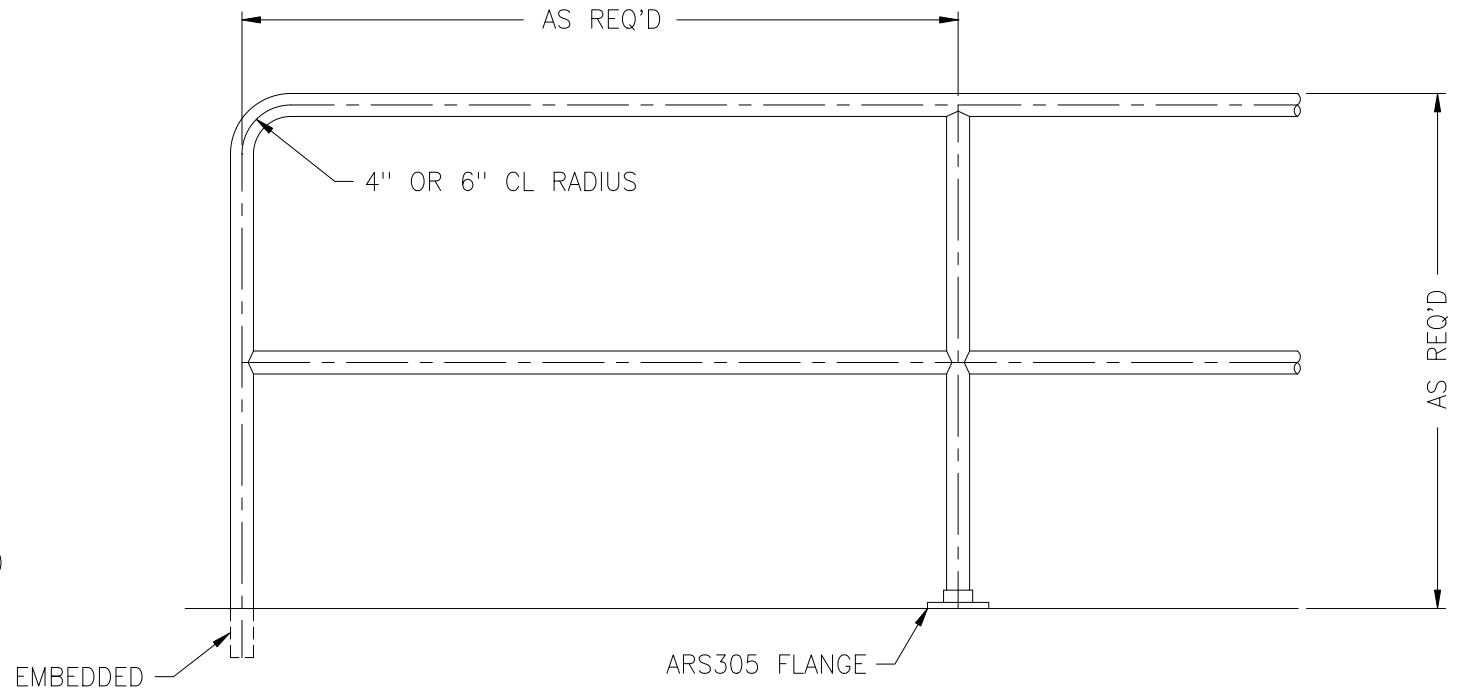
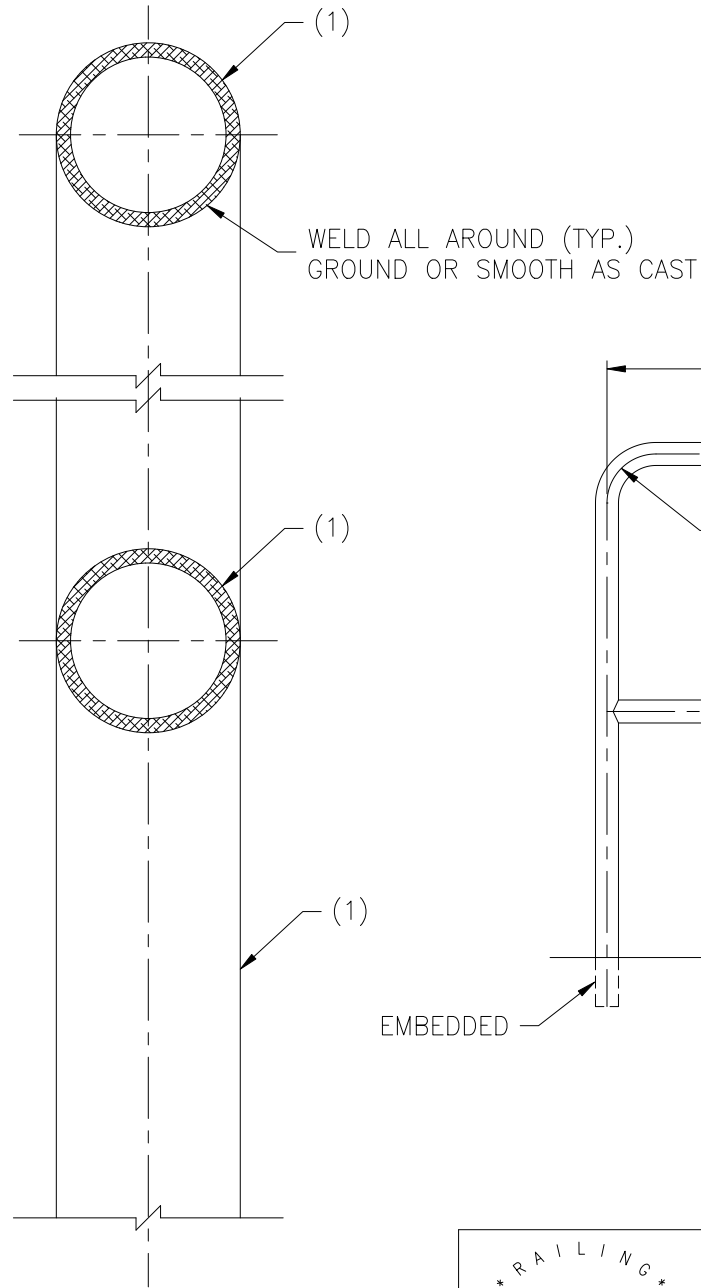


# ARS 2-LINE 1 1/2" ALUM. PIPE RAILING

| ITEM NO. | PART NO. | DESCRIPTION  | MATERIAL |
|----------|----------|--|----------|
| 1        | ARS13    | 1 1/2" SCH.40 ALUM. PIPE (1.900" O.D. x .145"thk.) | 6063-T6  |



RAILING ELEVATION  
(Scale: 3/4" = 1'-0")

RAILING CROSS-SECTION  
(Scale: 1/2)



**American Railing Systems, Inc.**

1813 McCLELLAND AVENUE  
 PHONE: (814)899-7677  
 FAX: (814)899-0743

ERIE, PA 16510  
 WEBSITE: WWW.AMERICANRAILING.COM  
 EMAIL: ARS@AMERICANRAILING.COM

STYLE: 2-LINE PIPE RAILING

FINISH: BAKED ENAMEL, KYNAR, ANODIZED,  
 DURANODIC & POWDER COAT

CUSTOMER:

JOB NAME:

DATE: 8-7-03

JOB #: