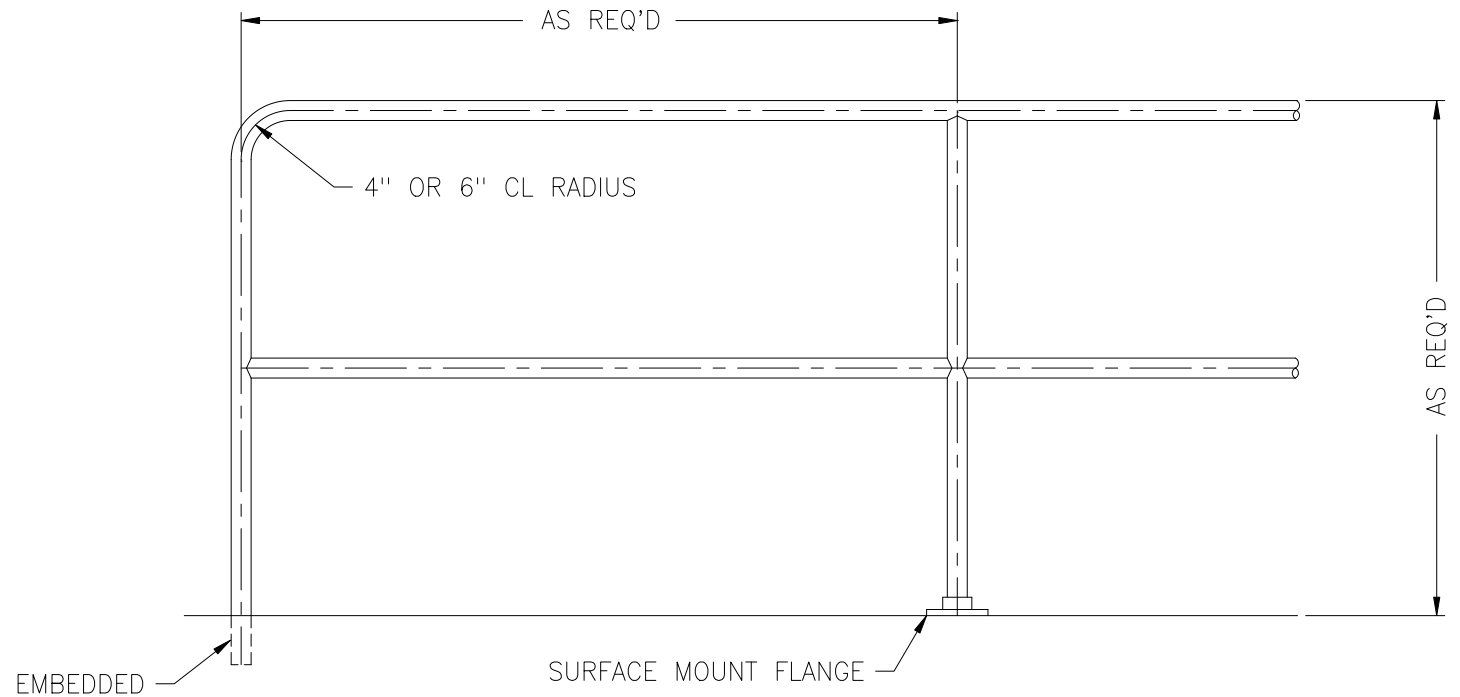
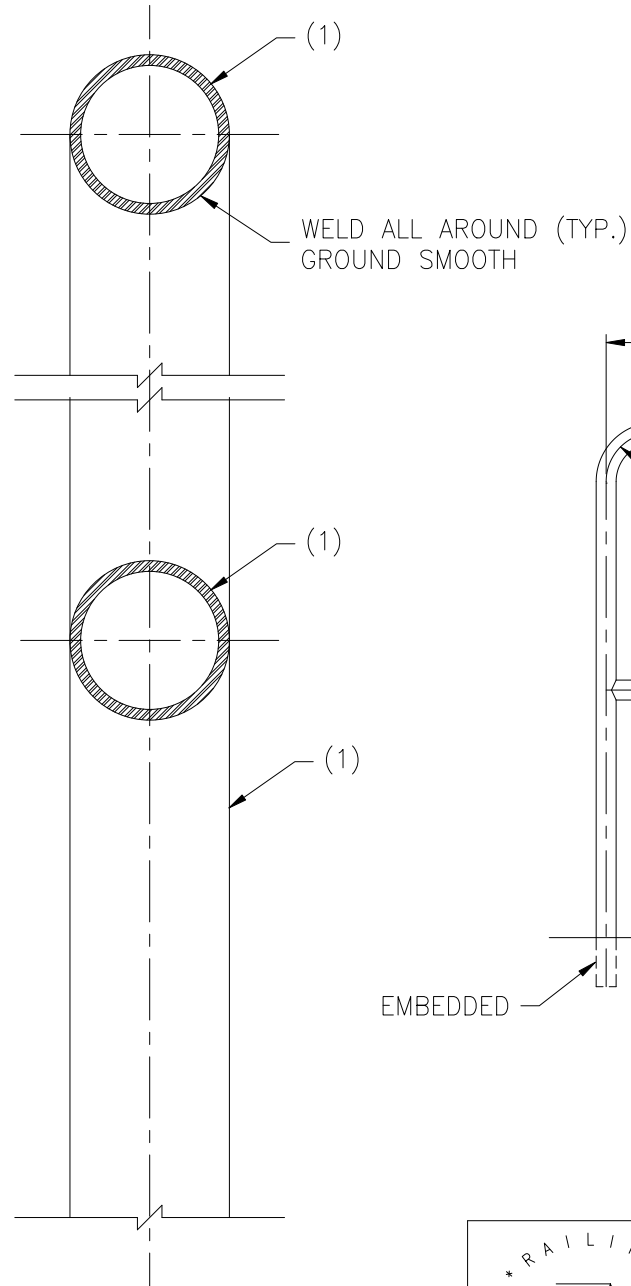


# ARS 2-LINE 1 1/4" SS PIPE RAILING

ITEM NO.	PART NO.	DESCRIPTION	MATERIAL
1		1 1/4" SCH.10 SS PIPE (1.660" O.D. x .109"thk.)	S.STL.



RAILING ELEVATION  
(Scale: 3/4" = 1'-0")

RAILING CROSS-SECTION  
(Scale: 1/2)



**American Railing Systems, Inc.**

1813 McCLELLAND AVENUE

ERIE, PA 16510

PHONE: (814)899-7677

WEBSITE: WWW.AMERICANRAILING.COM

FAX: (814)899-0743

EMAIL: ARS@AMERICANRAILING.COM

STYLE: 2-LINE PIPE RAILING

FINISH: #4 POLISH

CUSTOMER:

JOB NAME:

DATE: 7-23-03

JOB #: