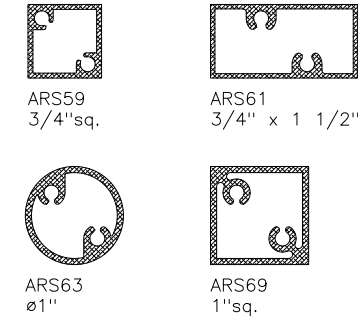
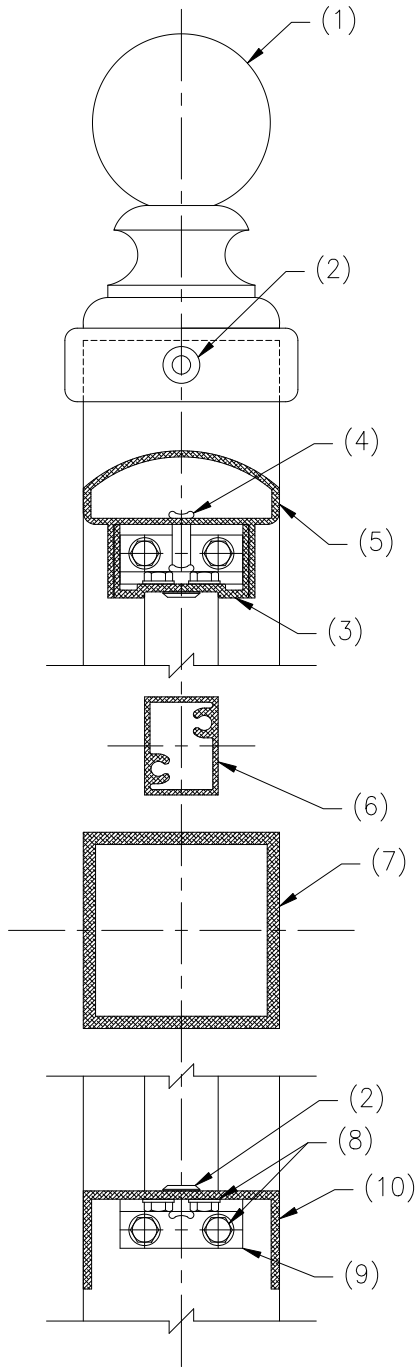


ARS COLONIAL ALUMINUM PICKET RAILING

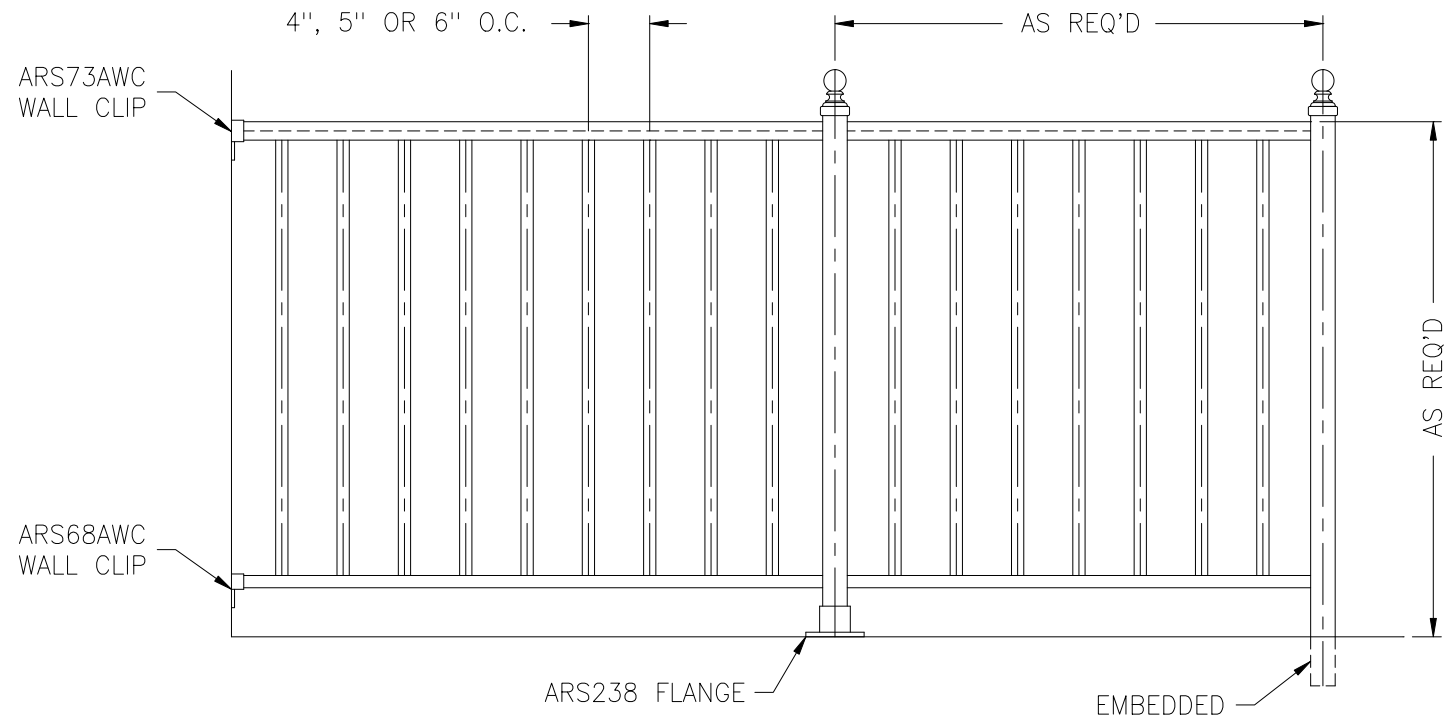
ITEM NO.	PART NO.	DESCRIPTION	MATERIAL
1		BALL CAP FOR 2"sq. POST	CAST ALUM.
2	AD68 BS	POP RIVET	ALUM.
3	ARS74	CHANNEL 3/4" x 1 3/8" x 3/4"	6063-T6
4	AD-616 BS	POP RIVET	ALUM.
5	ARS73	TOP RAIL 1 1/2"w x 2"h	6063-T6
6	ARS60	PICKET 3/4" x 1" RECT.	6063-T6
7	ARS12A	POST 2"sq x 1/8"thk.	6005-T6
8		#8 x 3/4" SELF TAPPING SCREW	S.STL.
9	PC-1	1/2" x 1 1/4" ANGLE POST CLIP	6063-T6
10	ARS68A	CHANNEL 1" x 2" x .080"thk.	6063-T6



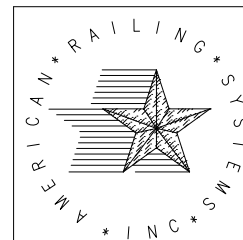
AVAILABLE PICKETS



RAILING CROSS-SECTION
(Scale: 1/2)



RAILING ELEVATION
(Scale: 3/4" = 1'-0")



American Railing Systems, Inc.
 1813 McCLELLAND AVENUE
 ERIE, PA 16510
 PHONE: (814)899-7677
 WEBSITE: WWW.AMERICANRAILING.COM
 FAX: (814)899-0743
 EMAIL: ARS@AMERICANRAILING.COM

STYLE: AMERICAN COLONIAL ALUM. RAIL WITH ARS60 PICKETS

FINISH: BAKED ENAMEL, KYNAR, ANODIZED, DURANODIC & POWDER COAT

CUSTOMER: _____

JOB NAME: _____

DATE: _____

JOB #: _____