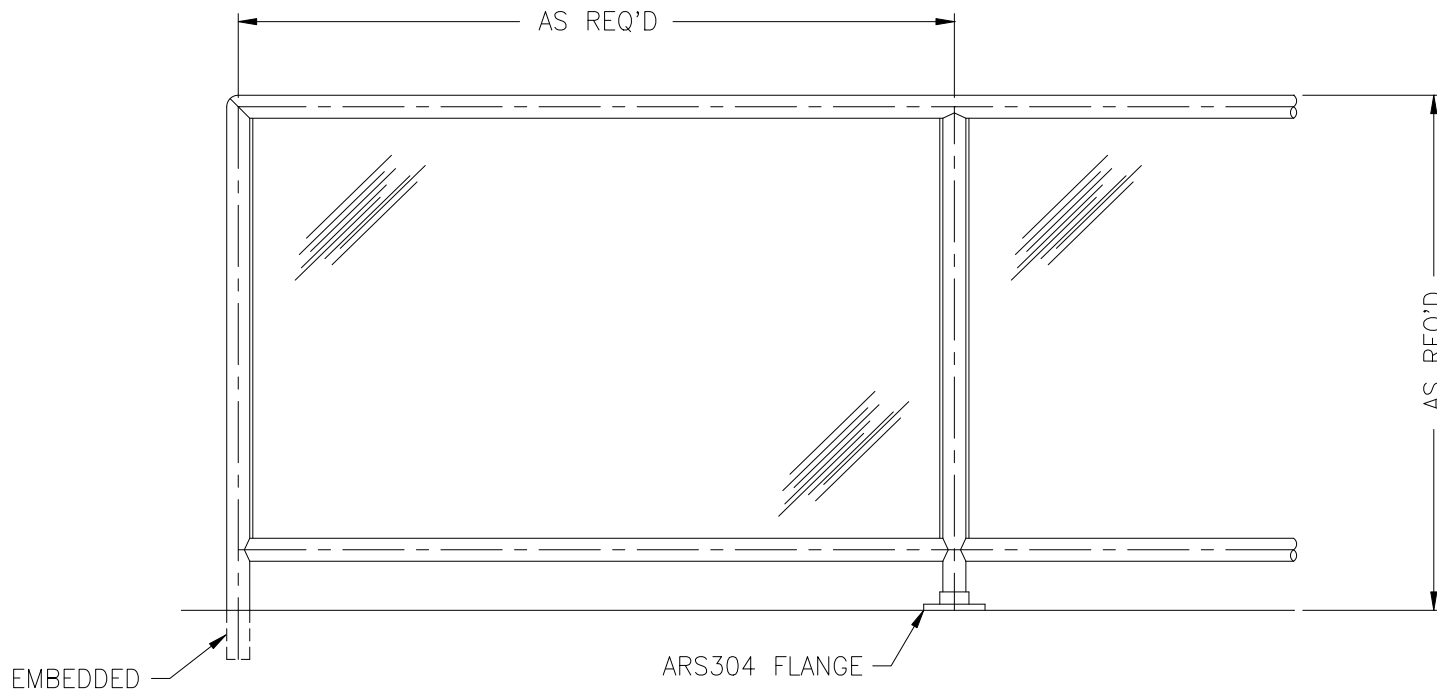
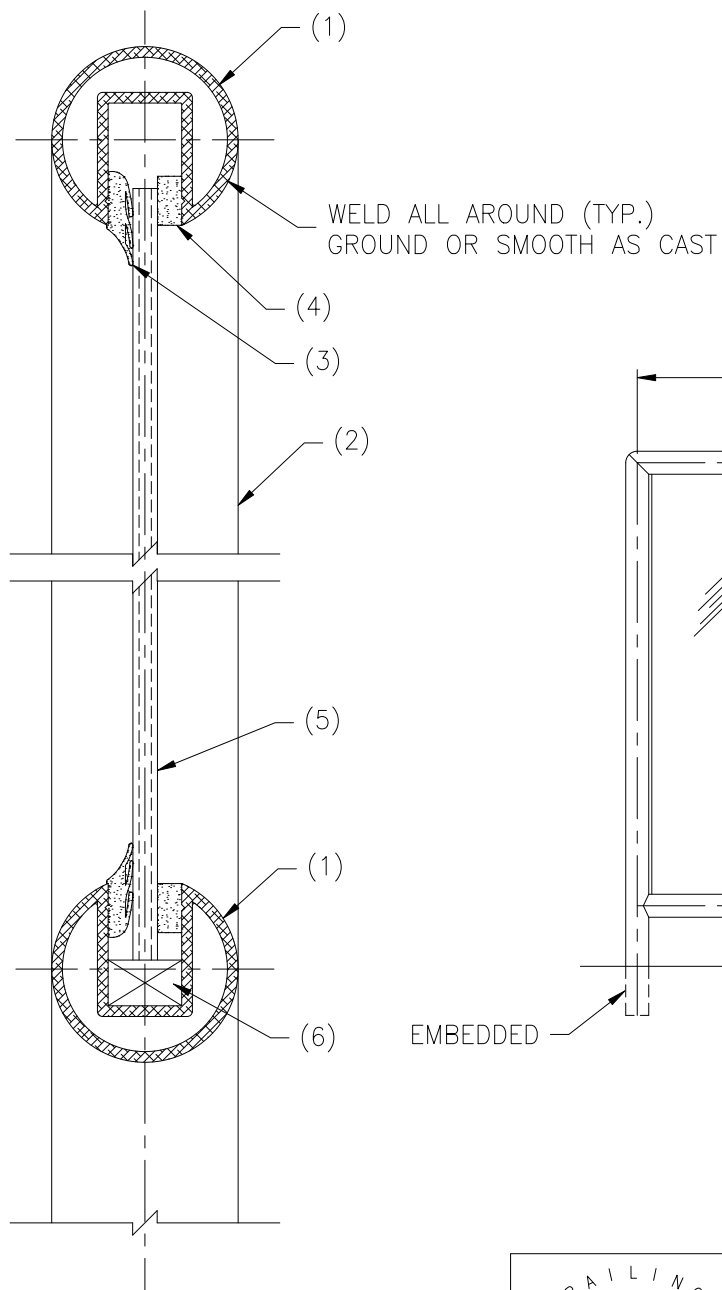


ARS 1 1/2" ALUM. PIPE GLASS RAILING

ITEM NO.	PART NO.	DESCRIPTION	MATERIAL
1		1 1/2" ALUM. GLAZING TUBE (1.900" O.D. x .109"thk.)	6063-T6
2		1 1/2" SCH.40 ALUM. PIPE (1.900" O.D. x .145"thk.)	6063-T6
3		GLAZING RUBBER	
4		GLAZING TAPE	
5		1/4" OR 3/8" CLEAR TEMPERED GLASS	
6		NEOPRENE SETTING BLOCK	



RAILING ELEVATION
(Scale: 3/4" = 1'-0")

RAILING CROSS-SECTION
(Scale: 1/2)



American Railing Systems, Inc.

1813 McCLELLAND AVENUE
 ERIE, PA 16510
 PHONE: (814)899-7677 WEBSITE: WWW.AMERICANRAILING.COM
 FAX: (814)899-0743 EMAIL: ARS@AMERICANRAILING.COM

STYLE: GLASS PIPE RAILING

FINISH: BAKED ENAMEL, KYNAR, ANODIZED,
 DURANODIC & POWDER COAT

CUSTOMER:

JOB NAME:

DATE: 8-7-03

JOB #: