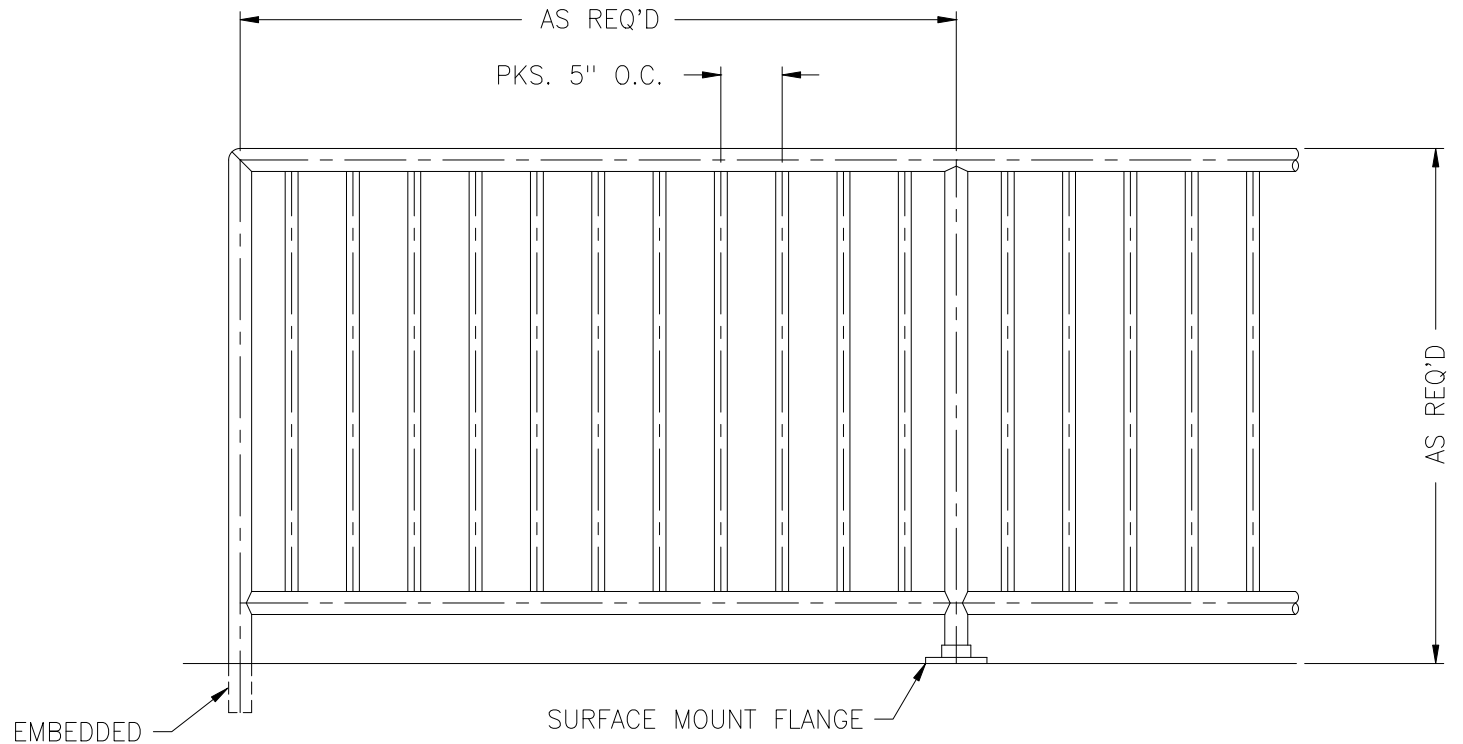
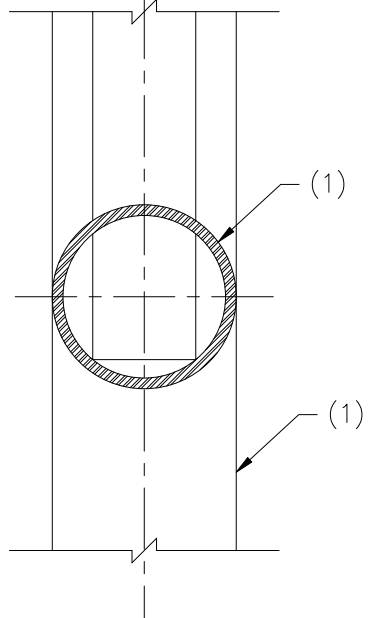
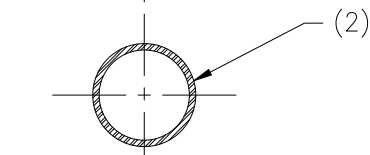
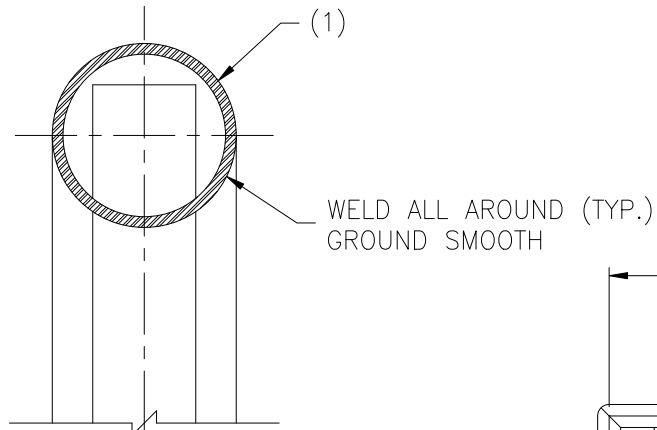


ARS 1 1/2" SS PRESSED PICKET RAILING

ITEM NO.	PART NO.	DESCRIPTION	MATERIAL
1		1 1/2" SCH.10 SS PIPE (1.900" O.D. x .109"thk.)	S.STL.
2		3/4" SCH.5 SS PIPE (1.050" O.D. x .065"thk.)	S.STL.



RAILING ELEVATION
(Scale: 3/4" = 1'-0")

RAILING CROSS-SECTION
(Scale: 1/2)



American Railing Systems, Inc.

1813 McCLELLAND AVENUE
PHONE: (814)899-7677
FAX: (814)899-0743

ERIE, PA 16510
WEBSITE: WWW.AMERICANRAILING.COM
EMAIL: ARS@AMERICANRAILING.COM

STYLE: PRESSED PICKET PIPE RAILING

FINISH: #4 POLISH

CUSTOMER:

JOB NAME:

DATE: 8-7-03

JOB #: