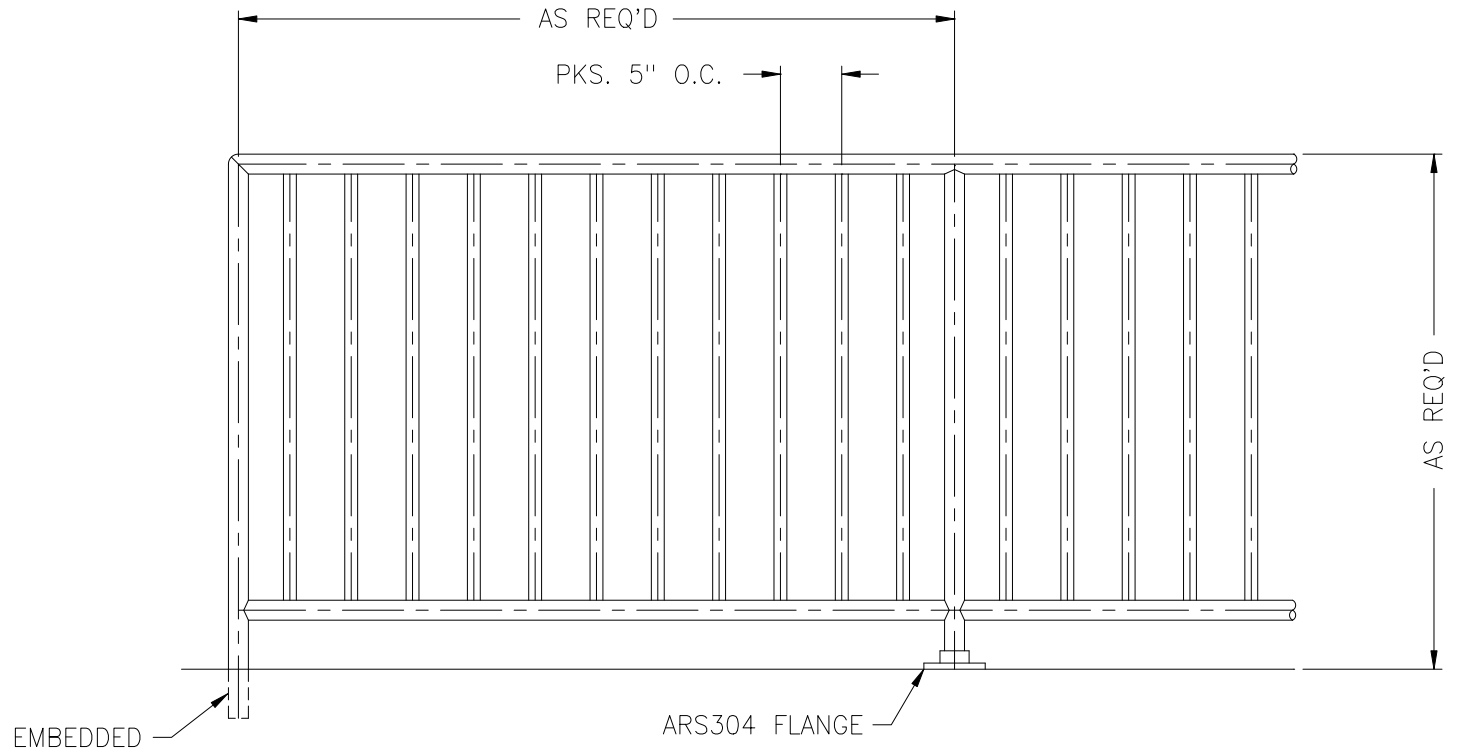
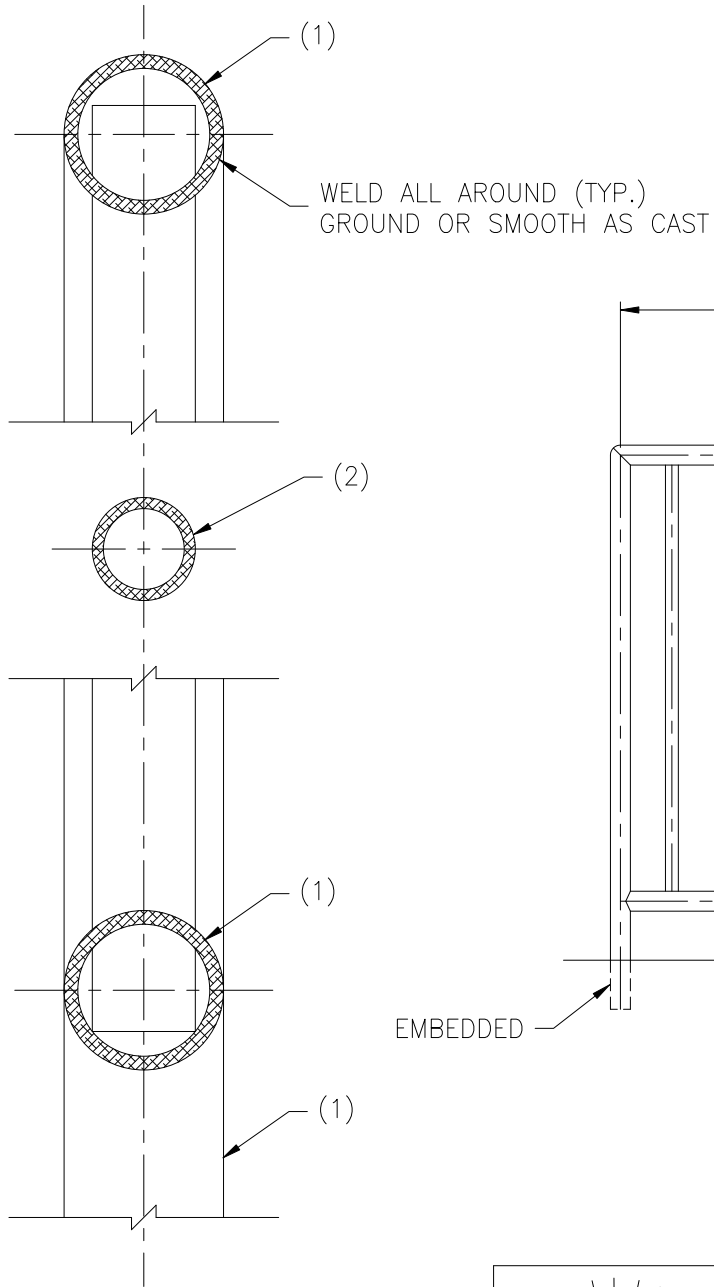


ARS 1 1/4" ALUM. PRESSED PICKET RAILING

ITEM NO.	PART NO.	DESCRIPTION	MATERIAL
1	ARS14	1 1/4" SCH.40 ALUM. PIPE (1.660" O.D. x .140"thk.)	6063-T6
2		3/4" SCH.40 ALUM. PIPE (1.050" O.D. x .113"thk.)	6063-T6



RAILING ELEVATION
(Scale: 3/4" = 1'-0")

RAILING CROSS-SECTION
(Scale: 1/2)



American Railing Systems, Inc.

1813 McCLELLAND AVENUE ERIE, PA 16510
 PHONE: (814)899-7677 WEBSITE: WWW.AMERICANRAILING.COM
 FAX: (814)899-0743 EMAIL: ARS@AMERICANRAILING.COM

STYLE: PRESSED PICKET PIPE RAILING

FINISH: BAKED ENAMEL, KYNAR, ANODIZED,
 DURANODIC & POWDER COAT

CUSTOMER:

JOB NAME:

DATE: 7-23-03

JOB #: