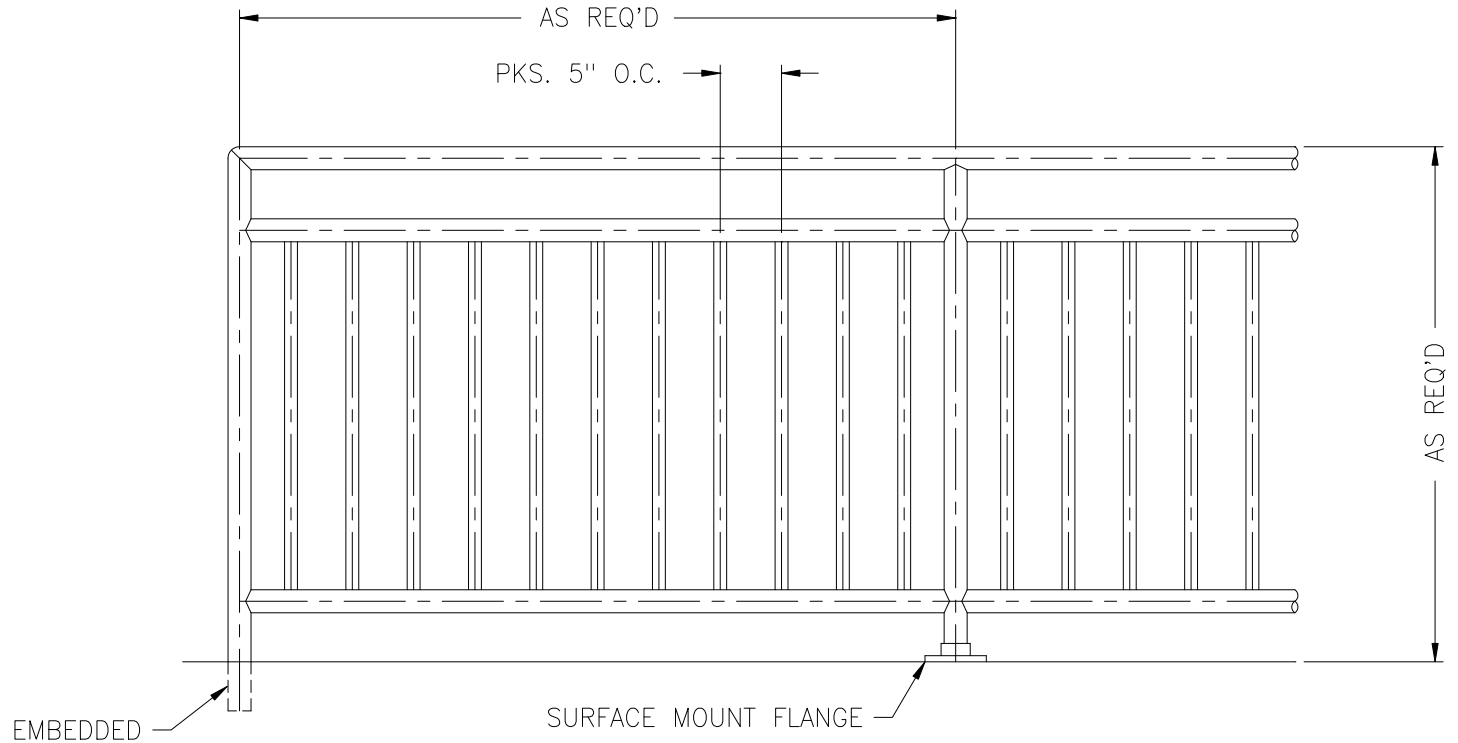
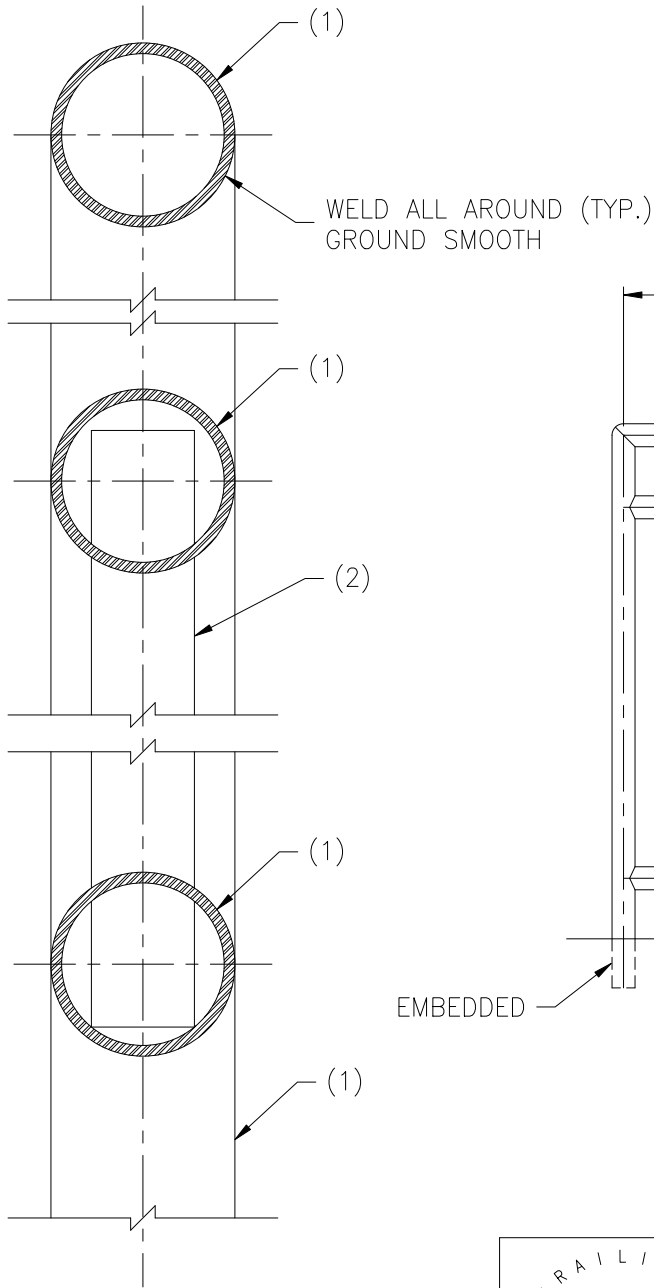


# ARS 1 1/2" SS PRESSED PICKET RAILING

ITEM NO.	PART NO.	DESCRIPTION	MATERIAL
1		1 1/2" SCH.10 SS PIPE (1.900" O.D. x .109"thk.)	S.STL.
2		3/4" SCH.5 SS PIPE (1.050" O.D. x .065"thk.)	S.STL.



RAILING ELEVATION  
(Scale: 3/4" = 1'-0")

RAILING CROSS-SECTION  
(Scale: 1/2)



**American Railing Systems, Inc.**

1813 McCLELLAND AVENUE      ERIE, PA 16510  
 PHONE: (814)899-7677      WEBSITE: WWW.AMERICANRAILING.COM  
 FAX: (814)899-0743      EMAIL: ARS@AMERICANRAILING.COM

STYLE:      SP PRESSED PICKET PIPE RAILING

FINISH:      #4 POLISH

CUSTOMER:

JOB NAME:

DATE: 8-7-03

JOB #: