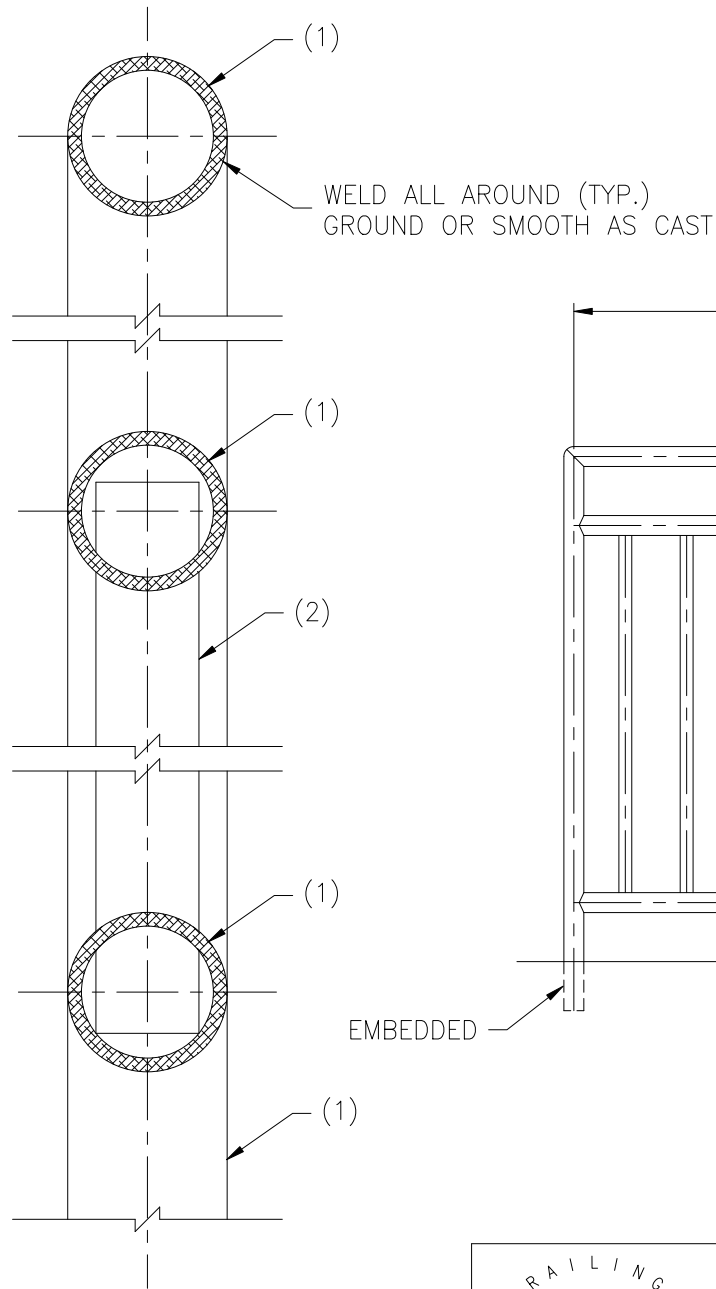
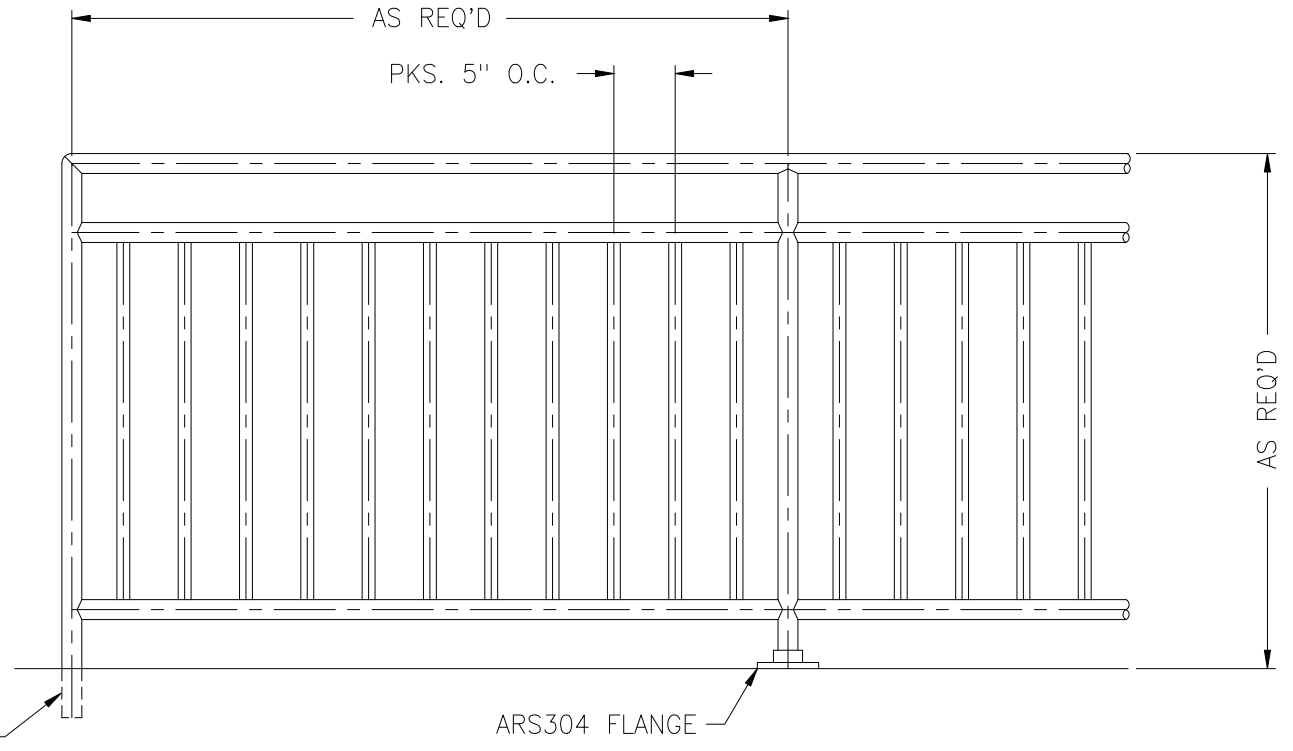


ARS 1 1/4" ALUM. PRESSED PICKET RAILING

| ITEM NO. | PART NO. | DESCRIPTION | MATERIAL |
|----------|----------|--|----------|
| 1 | ARS14 | 1 1/4" SCH.40 ALUM. PIPE (1.660" O.D. x .140"thk.) | 6063-T6 |
| 2 | | 3/4" SCH.40 ALUM. PIPE (1.050" O.D. x .113"thk.) | 6063-T6 |



RAILING CROSS-SECTION
(Scale: 1/2)



RAILING ELEVATION
(Scale: 3/4" = 1'-0")



American Railing Systems, Inc.

1813 McCLELLAND AVENUE
PHONE: (814)899-7677
FAX: (814)899-0743

ERIE, PA 16510
WEBSITE: WWW.AMERICANRAILING.COM
EMAIL: ARS@AMERICANRAILING.COM

STYLE: SP PRESSED PICKET PIPE RAILING

FINISH: BAKED ENAMEL, KYNAR, ANODIZED,
DURANODIC & POWDER COAT

CUSTOMER:

JOB NAME:

DATE: 7-23-03

JOB #: