

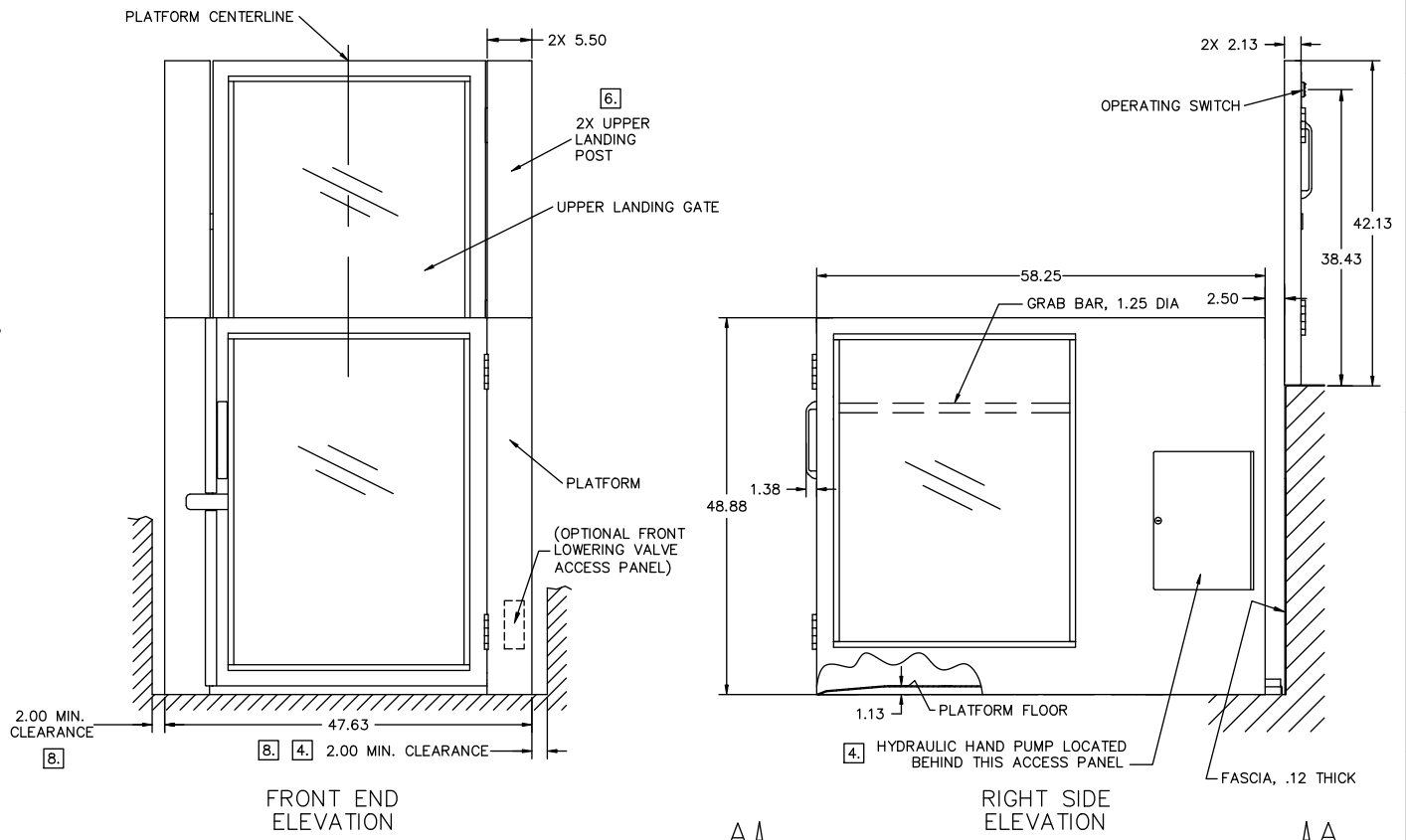
8 | 7 | 6 | 5 | 4 | 3 | 2 | 1

THIS DOCUMENT CONTAINS PROPRIETARY INFORMATION AND EXCEPT WITH WRITTEN PERMISSION BY AGM CONTAINER CONTROLS, INC. SUCH INFORMATION SHALL NOT BE PUBLISHED, DISCLOSED TO OTHERS OR USED FOR ANY PURPOSE AND THE DOCUMENT SHALL NOT BE DUPLICATED IN WHOLE OR IN PART.

REVISIONS				
ZONE	LTR.	DESCRIPTION	DATE	APPROVED

NOTES UNLESS OTHERWISE SPECIFIED:

1. DESCRIPTION: ASCENSION PROTEGE 5442FG MODEL SERIES VERTICAL WHEELCHAIR LIFT
2. ELECTRICAL & CONTROLS:
  - 2.1 120 VAC, 60 HZ, SINGLE PHASE, 15 AMP MINIMUM SERVICE LINE.
  - 2.2 LOWER LANDING OPERATING CONTROLS PROVIDED IN 1.88" DEEP SINGLE GANG HANDY BOX FOR REMOTE MOUNTING.
  - 2.3 UPPER LANDING OPERATING CONTROLS PROVIDED AT UPPER LANDING GATE.
  - 2.4 ALL CONTROL CIRCUITS POWERED BY 24 VDC POWER SUPPLY.
3. LIGHTING: STANDARD AND EMERGENCY LIGHTING TO BE PROVIDED BY OTHERS.
4. (SHEETS 1 & 3) INDICATED MINIMUM CLEARANCE (ON RIGHT SIDE ONLY) SHALL BE INCREASED TO 13.00" FOR HAND PUMP ACCESS WHERE STANDBY POWER OR BATTERY BACKUP IS NOT PROVIDED, AND FOR ALL INSTALLATIONS IN CALIFORNIA. OMIT THIS REQUIREMENT WHEN FRONT LOWERING VALVE OPTION IS SELECTED.
5. REINFORCED CONCRETE SLAB REQUIRED, 4" THICK, 3500 PSI, FLAT AND LEVEL WITHIN 1/2".
6. UPPER LANDING POSTS NOT SELF-SUPPORTING. SIDE SUPPORTS AND ATTACHMENT BRACKETS TO SUPPORT 125 LBF TO BE PROVIDED BY OTHERS.
7. ANCHORS TO BE PROVIDED BY INSTALLER.
8. WHERE AN OBSTRUCTION OR SURFACE LOCATED WITHIN 12" OF PLATFORM PRESENTS A PINCHING, SHEARING, OR CRUSHING HAZARD, A SMOOTH CONTINUOUS SURFACE SHALL BE PROVIDED EXTENDING FROM LOWER LANDING TO 42" MINIMUM ABOVE UPPER LANDING.



FRONT END ELEVATION

RIGHT SIDE ELEVATION

SEE SHEET 3

ASCENSION P/N:

INTERPRET DIMENSIONS AND TOLERANCES (W/ ANSI Y14.5M-1982) UNLESS OTHERWISE SPECIFIED DIMENSIONS ARE IN INCHES DECIMALS .XX ±.025 .XXX ±.030 ANGLES ±.5° TOLERANCES:		CONTRACT DATE B. KOOMAR 1-9-12 E. ZUERCHER 1-18-12 E. ZUERCHER 1-18-12		GGM CONTAINER CONTROLS, INC. P.O. BOX 40020 - TUCSON, ARIZONA 85717-0020	
DO NOT SCALE DRAWING		TITLE PROTEGE 5442FG MODEL SERIES WHEELCHAIR LIFT		SIZE D 08992	
PART NO. NEXT FINAL QTY. REQD PER ASSY.		NEXT ASSY. USED ON APPLICATION		SCALE 1/8 RELEASE DATE SHEET 1 OF 3	