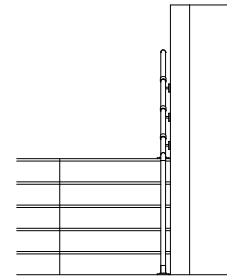
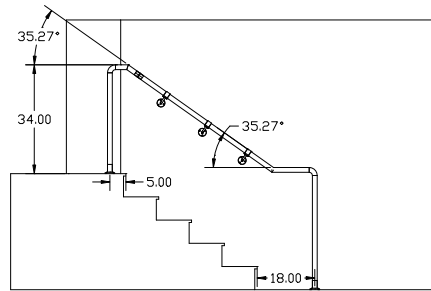
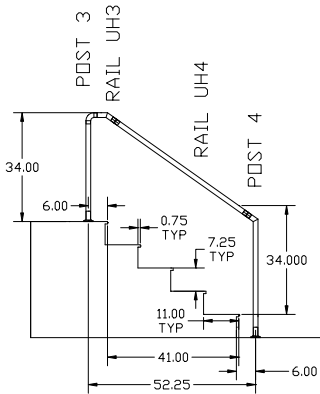
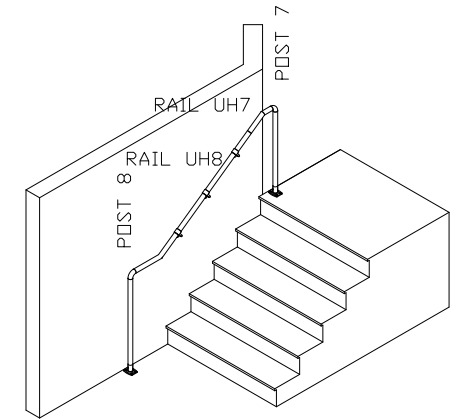
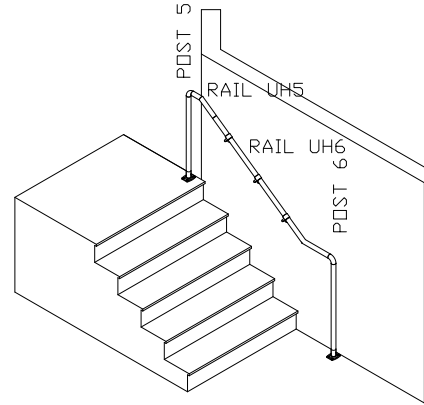
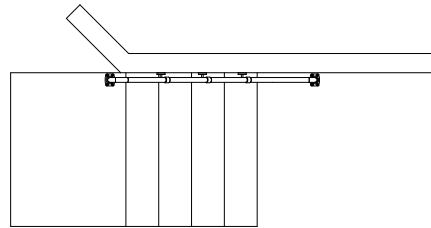
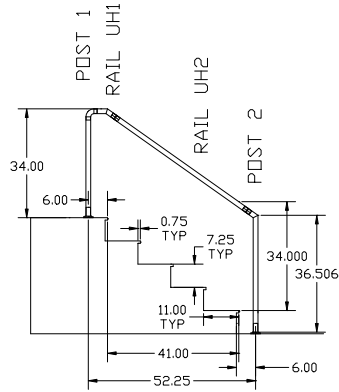


THE INFORMATION CONTAINED IN THIS DRAWING IS THE SOLE PROPERTY OF SUNCOR STAINLESS. ANY REPRODUCTION IN PART OR WHOLE WITHOUT THE WRITTEN PERMISSION OF SUNCOR STAINLESS IS PROHIBITED.

ZONE		REV	DESCRIPTION	DATE	APPROVED
A			NEW DRAWING	**	**



NOTES:

1. HAND RAIL SYSTEM CONSISTING OF SUNRAIL STYLE WITH HORIZONTAL WIRE ROPE.
2. DRAWING AND DIMENSIONS BASED UPON CUSTOMER SUPPLIED DRAWINGS
3. ALL DIMENSIONS AND RAILING DETAILS ARE PENDING CUSTOMER APPROVAL
4. 36" HAND RAIL SYSTEM CONSISTING OF 2" DIA POLISHED 16 GAUGE 316 SS TUBING, CAST 316 SS FITTINGS, EPOXY CONNECTIONS AT JOINTS

Deck or mounting area and stair dimensions MUST be confirmed by the customer and or contractor. Suncor/Atlantis rail will NOT be responsible for errors or misinterpretations of the railing system designed by us based upon customer confirmed dimensions. Additional drawing time to change the design or correct for errors after signing will result in additional costs as well as any changes to parts made per the drawing. Carefully review the drawing before signing and accepting.

SIGNATURE _____ DATE ___/___/___

UNLESS OTHERWISE SPECIFIED TOLERANCES ARE:		FOR DIMENSIONS DRAWING DO NOT PREVIOUSLY UPDATE:	
FUNCTION	FINISHES	APPROVALS	DATE
± 1/64"	± .005	DRAWN	**
± .001	± 1/32"	CHECKED	
± .002	± .002	RESP. ENG.	
		WFO. ENG.	
		SVA. ENG.	

CUSTOM HANDRAIL SAMPLE DRAWING			
SIZE	FSM NO.	DWG NO.	REV
D		XXXXXXXXXXXX	A
SCALE	FULL	CAD FILE: XXXXXXXXXXXX	SHEET