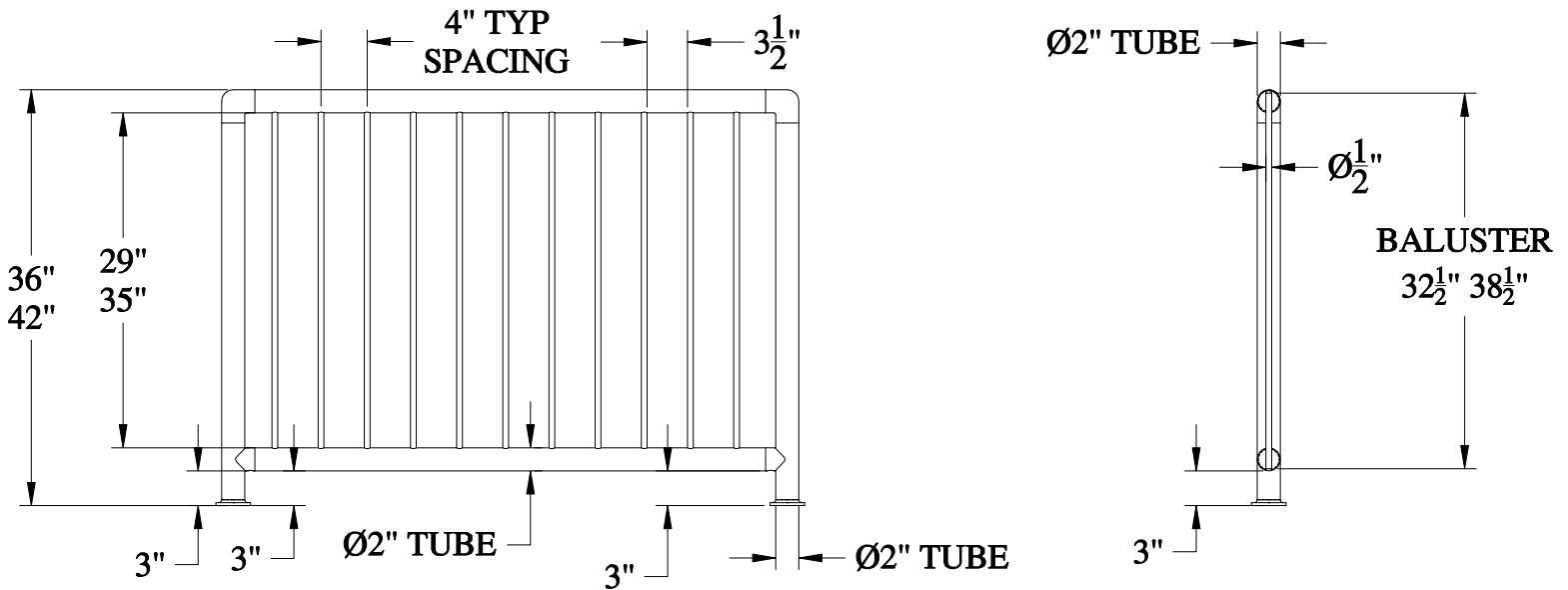


## SUNRAIL MARINER SYSTEM DESIGN PARAMETERS



**SPECIFICATIONS:**

**RECOMMENDED SPAN: 48" BETWEEN POSTS**

**HANDRAIL: 2" DIAMETER 16 GAGE 316 GRADE S/S TUBING**

**BALUSTER: 1/2" DIAMETER X 14 GAGE S/S 304 TUBING**

**POSTS: 2" DIAMETER 16 GAGE 316 GRADE S/S TUBING**

**TOP AND BOTTOM RAILS SECURED TO POSTS WITH 316 GRADE  
CAST S/S FITTINGS**

**RUBBER PLUGS AVAILABLE TO MINIMIZE BALUSTER MOVEMENT**