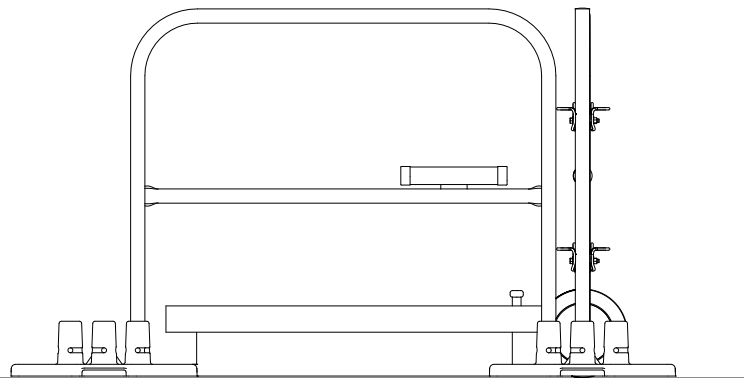
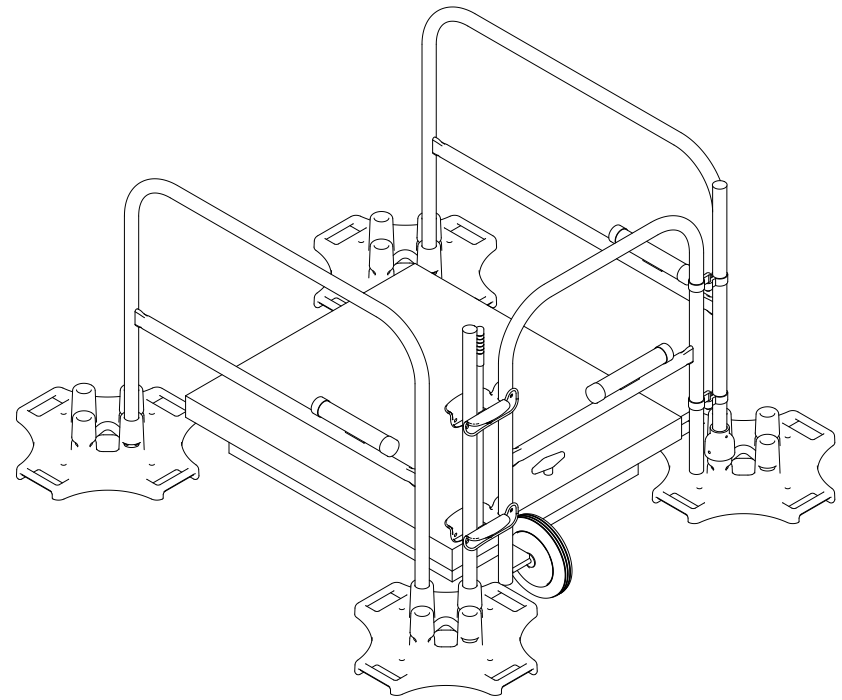
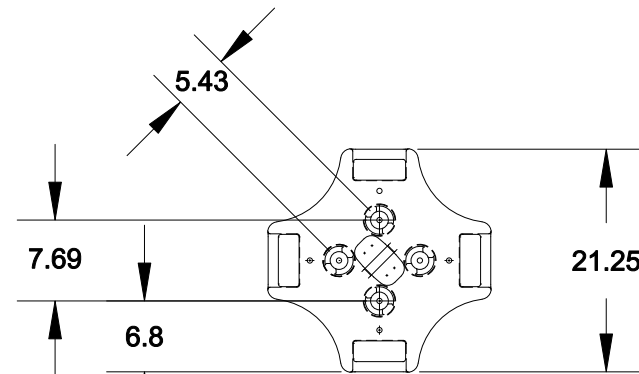


TOP VIEW



SIDE VIEW



BASE DETAIL

KIT WILL FIT THE FOLLOWING
ROOF HATCH SIZES:

- 30 x 30
- 30 x 36

BlueWater Mfg.
P.O.Box 203
7914 Kerber Blvd.
Chanhausen, MN 55317

Tel: 952-926-0515
Toll Free: 866-898-5237
Fax: 952-926-0518
info@bluewater-mfg.com
www.safetyrail2000.com

Roof Hatch Safety Rail Kit

| | | |
|---------|------|-------|
| Dwg No. | Rev. | Sheet |
| 500040 | B | 1/1 |