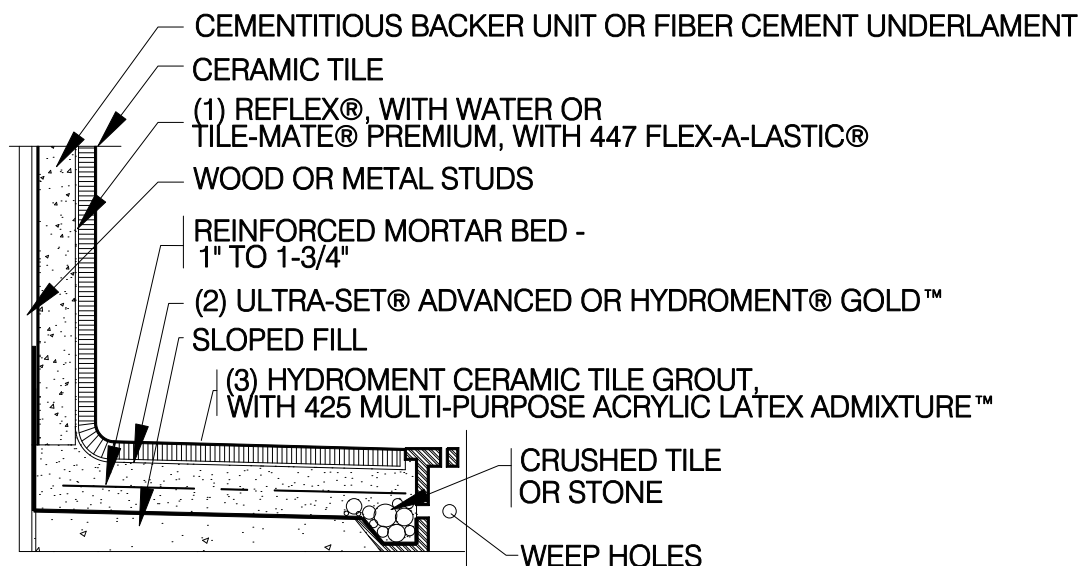


# SHOWER RECEPTORS, WALLS

## Wood or Metal Studs

Cementitious Backer Unit/  
Fiber Cement Underlayment

HYD-B415-05



### (3) Hydroment® Grout Options:

Hydroment Ceramic Tile Grout (sanded), with 425 Multi-Purpose Acrylic Latex Admixture™  
Hydroment Ceramic Tile Grout (sanded), with water  
Hydroment Ceramic Tile Grout (sanded), with 1900™ Modified Epoxy Admixture  
Hydroment Dry Tile Grout (unsanded), with 425 Multi-Purpose Acrylic Latex Admixture  
Hydroment Dry Tile Grout (unsanded), with water

### (2) Hydroment Waterproof Membrane Options:

Ultra-Set® Advanced  
Hydroment Gold™  
Black-Top 90210™

### (1) Hydroment Latex Portland Cement Mortar Options:

ReFlex®, with water  
Single-Flex FS™, with 425 Multi-Purpose Acrylic Latex Admixture  
Single-Flex FS, with water  
Single-Flex™, with water  
Hydroment PM™, with water  
Tile-Mate® Premium, with 447 Flex-A-Lastic®  
Tile-Mate Premium, with 425 Multi-Purpose Acrylic Latex Admixture  
Tile-Mate Floor & Wall, with 447 Flex-A-Lastic  
Tile-Mate Floor & Wall, with 425 Multi-Purpose Acrylic Latex Admixture