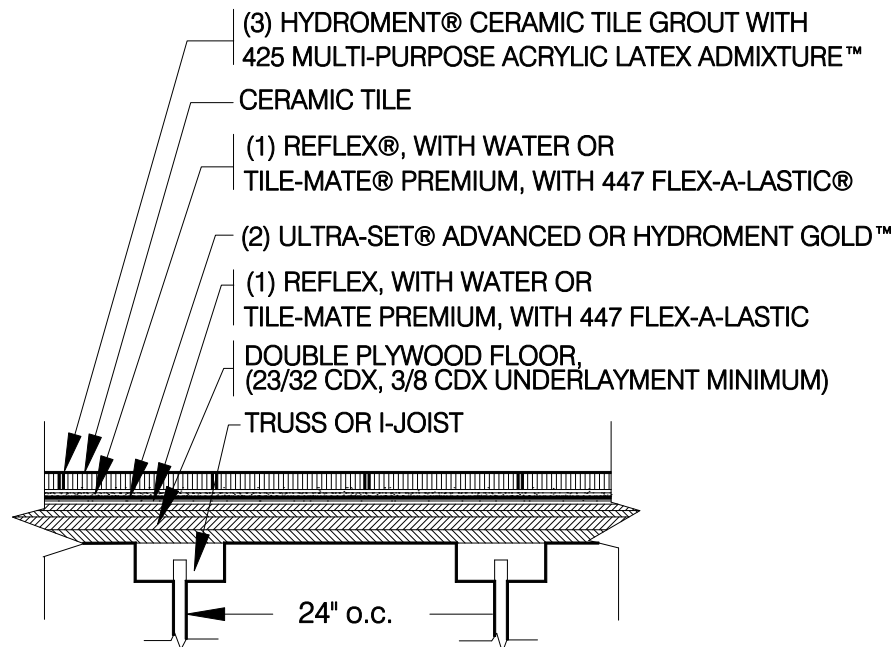


FLOORS, INTERIOR

Wood Subfloor, 24"o.c. Joist Spacing, Membrane System

Latex-Portland Cement Mortar (1)

HYD-F152-05



(3) Hydroment® Grout Options:

Hydroment Ceramic Tile Grout (sanded), with 425 Multi-Purpose Acrylic Latex Admixture™
Hydroment Ceramic Tile Grout (sanded), with 1900™ Modified Epoxy Admixture
Hydroment Dry Tile Grout (unsanded), with 425 Multi-Purpose Acrylic Latex Admixture

(2) Hydroment Waterproof Membrane Options:

Ultra-Set® Advanced
Hydroment Gold™
Black-Top 90210™

(1) Hydroment Latex Portland Cement Mortar Options:

ReFlex®, with water
Single-Flex FS™, with 425 Multi-Purpose Acrylic Latex Admixture
Single-Flex FS, with water
Single-Flex™, with water
Big Tile & Stone™ Mortar, with water
Hydroment PM™, with water
Tile-Mate® Premium, with 447 Flex-A-Lastic® Admixture
Tile-Mate Premium, with 425 Multi-Purpose Acrylic Latex Admixture
Tile-Mate Floor & Wall, with 447 Flex-A-Lastic Admixture
Tile-Mate Floor & Wall, with 425 Multi-Purpose Acrylic Latex Admixture