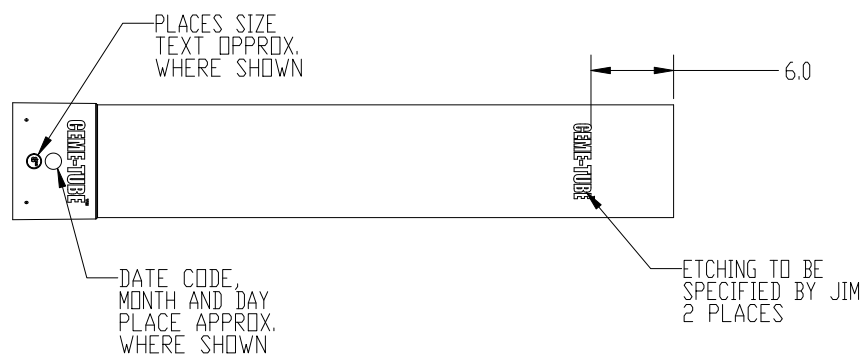
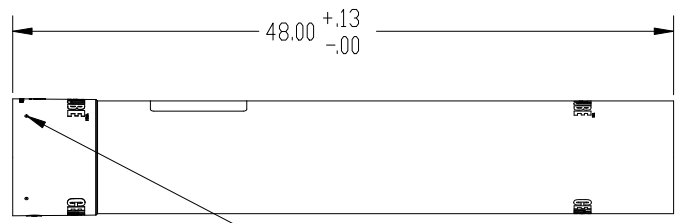
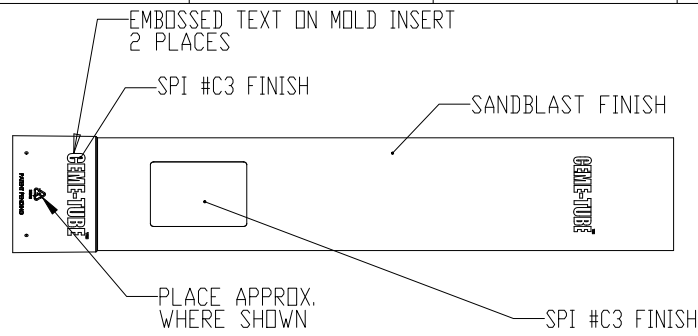
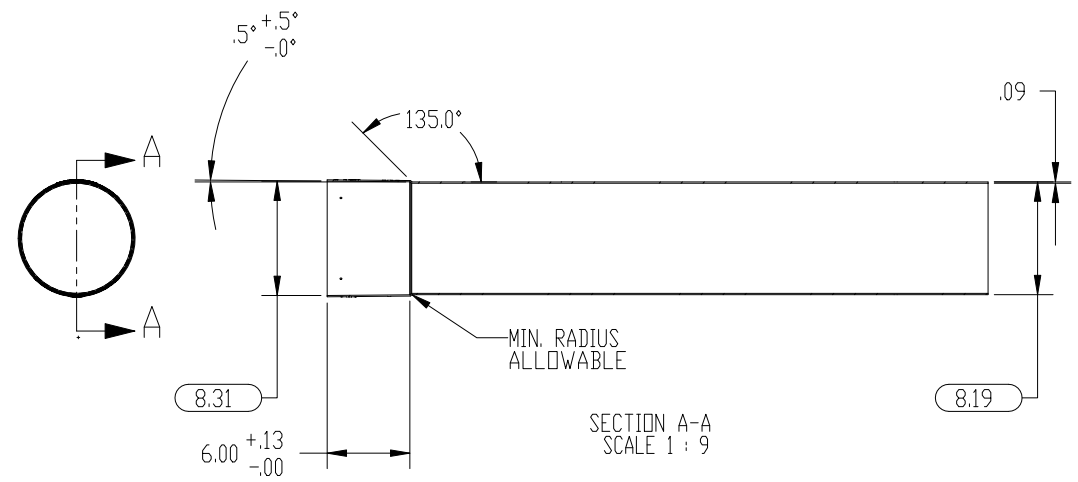


8 7 6 5 4 3 2 1



- NOTES:
1. MATERIAL PROPERTIES;  
MATERIAL: HDPE  
COLOR: BLACK  
THICKNESS: .10
  2. ALL EMBOSSD TEXT HEIGHT .01
  3. MAIN BODY OF PART TO HAVE SANBLAST FINISH
  4. ALL EMBOSSD TEXT TO BE SPI #C3 SURFACE FINISH
  5. CRITICAL DIMENSIONS ARE CIRCLED



C	ADD NOTES	03-09-07
B	MOVE TEXT TO COLLAR	02-09-07
A	RELEASE PART AND DRAWING	11-04-06
REV.	DESCRIPTION	DATE
REVISIONS		

UNLESS OTHERWISE SPECIFIED:	NAME	DATE
DIMENSIONS ARE IN INCHES	MJK	11-04-06
TOLERANCES:		
FRACTIONAL ±		
ANGULAR: ±1		
TWO PLACE DECIMAL ±.01		
THREE PLACE DECIMAL ±.005		
INTERPRET GEOMETRIC TOLERANCING PER:		
MATERIAL HDPE		
FINISH		
DO NOT SCALE DRAWING		

PROPRIETARY AND CONFIDENTIAL  
THE INFORMATION CONTAINED IN THIS  
DRAWING IS THE SOLE PROPERTY OF  
PRESTIGE SHEET METAL. ANY  
REPRODUCTION IN PART OR AS A WHOLE  
WITHOUT THE WRITTEN PERMISSION OF  
PRESTIGE SHEET METAL IS  
PROHIBITED.

TITLE: CEME-TUBE, 48" X Ø 8"		
SIZE DWG. NO. B 4808	REV C	
SCALE: 1:9	WEIGHT:	SHEET 1 OF 1

8 7 6 5 4 3 2 1