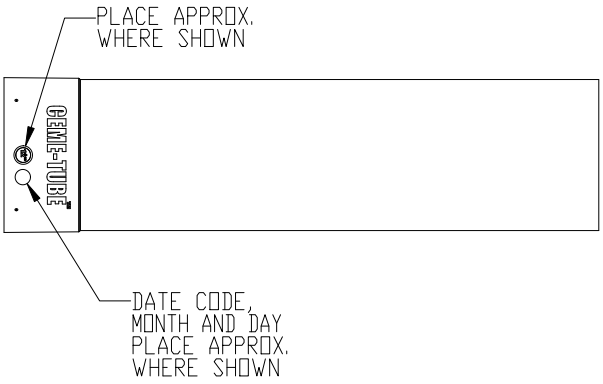
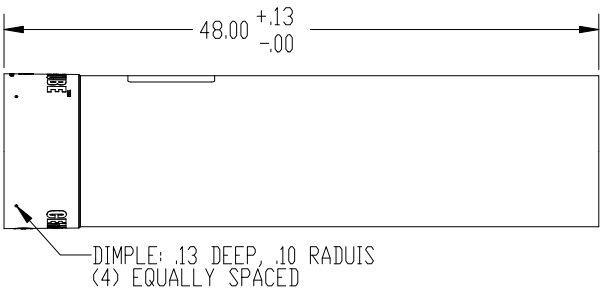
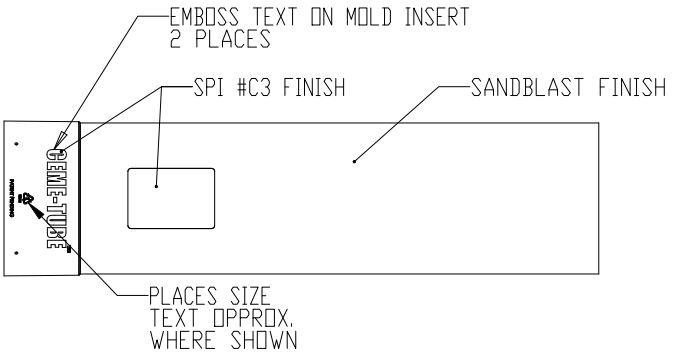
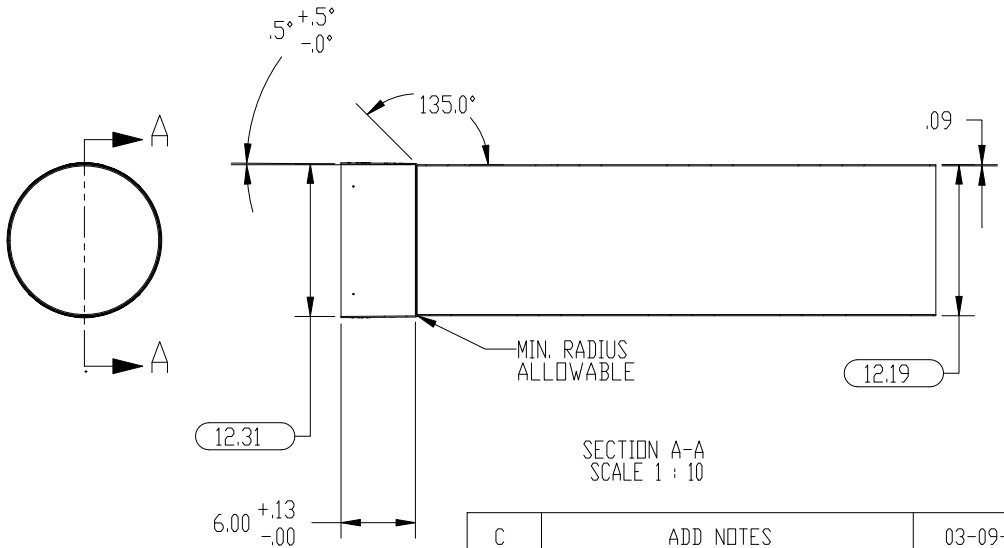


8 7 6 5 4 3 2 1



NOTES:

1. MATERIAL PROPERTIES;
MATERIAL: HDPE
COLOR: BLACK
THICKNESS: .10
2. ALL EMBOSSSED TEXT HEIGHT .01
3. MAIN BODY OF PART TO HAVE SANBLAST FINISH
4. ALL EMBOSSSED TEXT TO BE SPI #C3 SURFACE FINISH
5. CRITICAL DIMENSIONS ARE CIRCLED



| | | |
|-----------|--------------------------|----------|
| C | ADD NOTES | 03-09-07 |
| B | MOVE TEXT TO COLLAR | 2-25-07 |
| A | RELEASE PART AND DRAWING | 11-04-06 |
| REV. | DESCRIPTION | DATE |
| REVISIONS | | |

| | | | |
|--------------------------------------|----------|---------|--------------|
| UNLESS OTHERWISE SPECIFIED: | | NAME | DATE |
| DIMENSIONS ARE IN INCHES | | MJK | 11-04-06 |
| TOLERANCES: | | | |
| FRACTIONAL ± | | | |
| ANGULAR: ±1 | | | |
| TWO PLACE DECIMAL ±.01 | | | |
| THREE PLACE DECIMAL ±.005 | | | |
| INTERPRET GEOMETRIC TOLERANCING PER: | | | |
| MATERIAL HDPE | | | |
| FINISH | | | |
| DO NOT SCALE DRAWING | | | |
| DRAWN | | | |
| CHECKED | | | |
| ENG APPR. | | | |
| MFG APPR. | | | |
| Q.A. | | | |
| COMMENTS: | | | |
| TITLE: CEME-TUBE, 48" X Ø 12" | | | |
| SIZE | DWG. NO. | REV | |
| B | 4812 | C | |
| SCALE: 1:10 | | WEIGHT: | SHEET 1 OF 1 |

PROPRIETARY AND CONFIDENTIAL
THE INFORMATION CONTAINED IN THIS
DRAWING IS THE SOLE PROPERTY OF
PRESTIGE SHEET METAL. ANY
REPRODUCTION IN PART OR AS A WHOLE
WITHOUT THE WRITTEN PERMISSION OF
PRESTIGE SHEET METAL IS
PROHIBITED.

8 7 6 5 4 3 2 1