

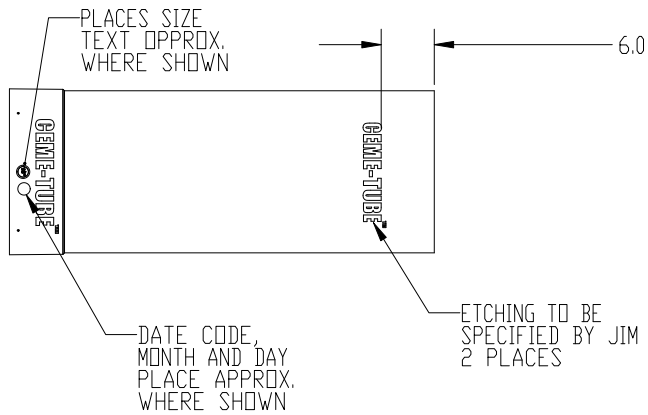
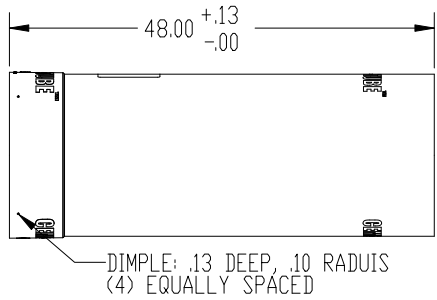
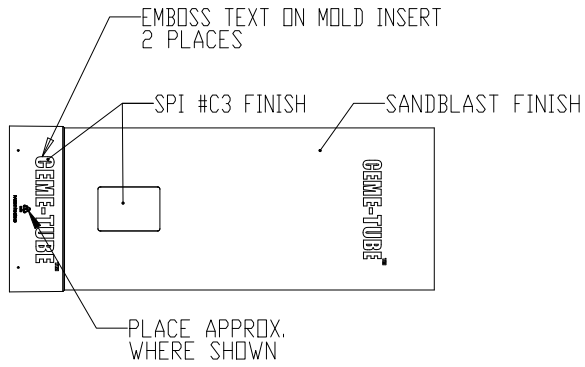
8 7 6 5 4 3 2 1

D

C

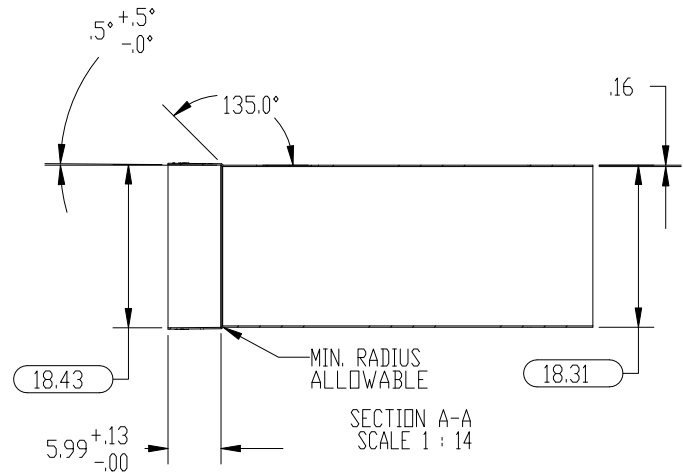
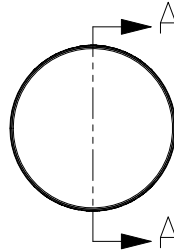
B

A



NOTES:

1. MATERIAL PROPERTIES;
MATERIAL: HDPE
COLOR: BLACK
THICKNESS: .15
2. ALL EMBOSSED TEXT HEIGHT .01
3. MAIN BODY OF PART TO HAVE SANBLAST FINISH
4. ALL EMBOSSED TEXT TO BE SPI #C3 SURFACE FINISH
5. CRITICAL DIMENSIONS ARE CIRCLED



C	ADD NOTES	03-09-07
B	MOVE TEXT TO COLLAR	2-25-07
A	RELEASE PART AND DRAWING	11-04-06
REV.	DESCRIPTION	DATE
REVISIONS		

UNLESS OTHERWISE SPECIFIED:		NAME	DATE
DIMENSIONS ARE IN INCHES		MJK	11-04-06
TOLERANCES:			
FRACTIONAL: ±			
ANGULAR: ±1			
TWO PLACE DECIMAL ±.01			
THREE PLACE DECIMAL ±.005			
INTERPRET GEOMETRIC TOLERANCING PER:			
MATERIAL: HDPE			
FINISH:			
DO NOT SCALE DRAWING			
DRAWN			
CHECKED			
ENG APPR.			
MFG APPR.			
Q.A.			
COMMENTS:			
TITLE: CEME-TUBE, 48" X Ø 18"			
SIZE	DWG. NO.	REV	
B	4818	C	
SCALE: 1:14		WEIGHT:	SHEET 1 OF 1

PROPRIETARY AND CONFIDENTIAL
THE INFORMATION CONTAINED IN THIS
DRAWING IS THE SOLE PROPERTY OF
PRESTIGE SHEET METAL. ANY
REPRODUCTION IN PART OR AS A WHOLE
WITHOUT THE WRITTEN PERMISSION OF
PRESTIGE SHEET METAL IS
PROHIBITED.

8 7 6 5 4 3 2 1