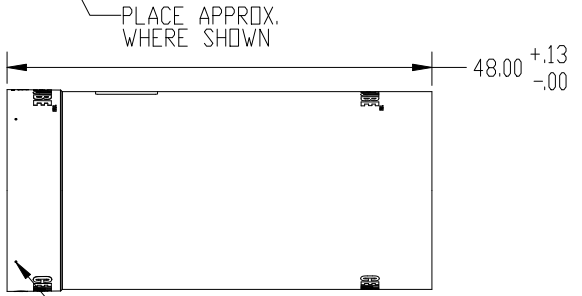
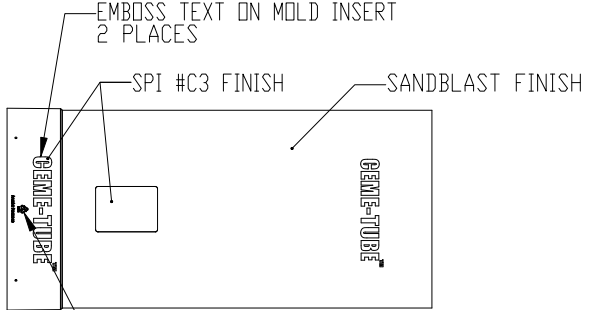
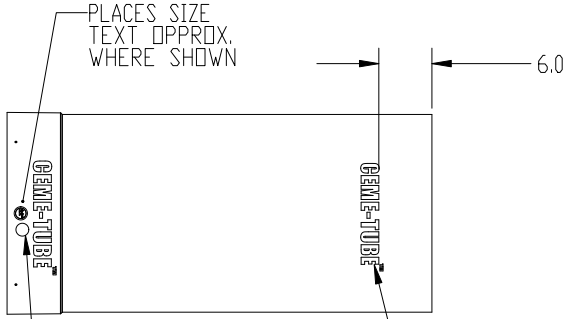


8 7 6 5 4 3 2 1

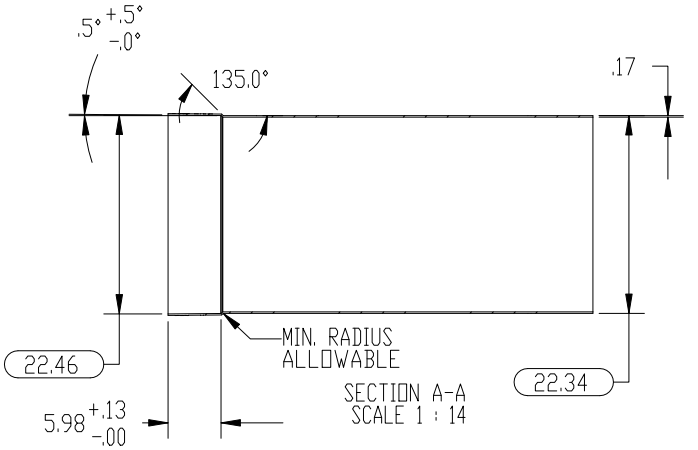
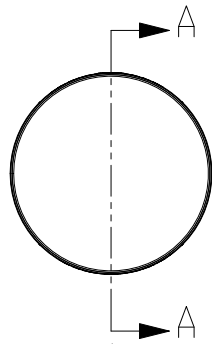


DIMPLE: .13 DEEP, .10 RADUIS (4) EQUALLY SPACED



DATE CODE, MONTH AND DAY PLACE APPROX. WHERE SHOWN

ETCHING TO BE SPECIFIED BY JIM 2 PLACES



- NOTES:
1. MATERIAL PROPERTIES;
MATERIAL: HDPE
COLOR: BLACK
THICKNESS: .15
 2. ALL EMBOSSSED TEXT HEIGHT .01
 3. MAIN BODY OF PART TO HAVE SANBLAST FINISH
 4. ALL EMBOSSSED TEXT TO BE SPI #C3 SURFACE FINISH
 5. CRITICAL DIMENSIONS ARE CIRCLED

C	ADD NOTES	03-09-07
B	MOVE TEXT TO COLLAR	2-25-07
A	RELEASE PART AND DRAWING	11-04-06
REV.	DESCRIPTION	DATE
REVISIONS		

UNLESS OTHERWISE SPECIFIED:	NAME	DATE
DIMENSIONS ARE IN INCHES	MJK	11-04-06
TOLERANCES:	CHECKED	
FRACTIONAL ±	ENG APPR.	
ANGULAR: ±1	MFG APPR.	
TWO PLACE DECIMAL ±.01	Q.A.	
THREE PLACE DECIMAL ±.005	COMMENTS:	
INTERPRET GEOMETRIC TOLERANCING PER:		
MATERIAL HDPE		
FINISH		
DO NOT SCALE DRAWING		

TITLE: CEME-TUBE, 48" X Ø 22"		
SIZE DWG. NO. B 4822	REV C	
SCALE: 1:14	WEIGHT:	SHEET 1 OF 1

PROPRIETARY AND CONFIDENTIAL
THE INFORMATION CONTAINED IN THIS DRAWING IS THE SOLE PROPERTY OF PRESTIGE SHEET METAL. ANY REPRODUCTION IN PART OR AS A WHOLE WITHOUT THE WRITTEN PERMISSION OF PRESTIGE SHEET METAL IS PROHIBITED.

8 7 6 5 4 3 2 1