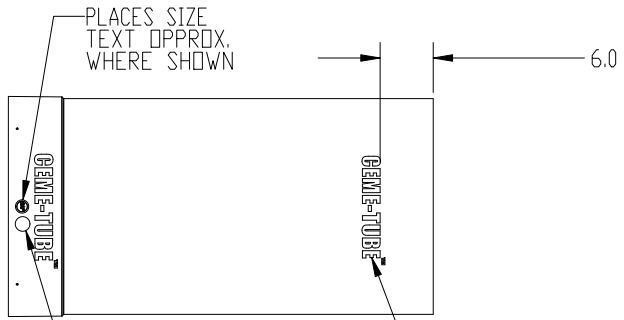
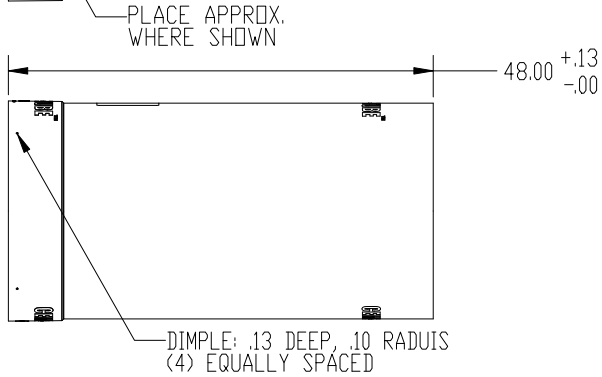
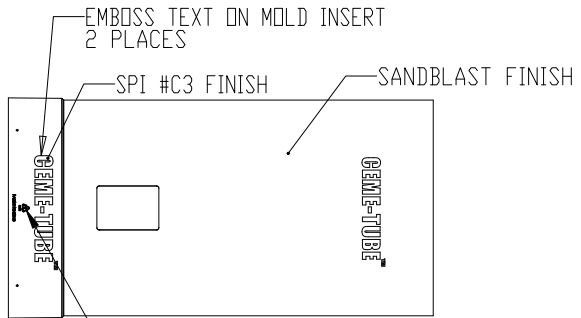


8 7 6 5 4 3 2 1

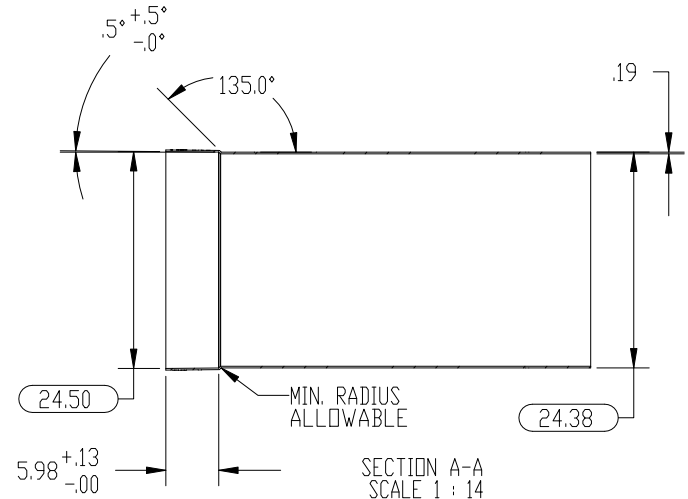
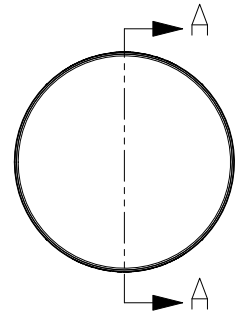


DATE CODE,
MONTH AND DAY
PLACE APPROX.
WHERE SHOWN

ETCHING TO BE
SPECIFIED BY JIM
2 PLACES

NOTES:

1. MATERIAL PROPERTIES;
MATERIAL: HDPE
COLOR: BLACK
THICKNESS: .15
2. ALL EMBOSSED TEXT HEIGHT .01
3. MAIN BODY OF PART TO HAVE SANDBLAST FINISH
4. ALL EMBOSSED TEXT TO BE SPI #C3 SURFACE FINISH
5. CRITICAL DIMENSIONS ARE CIRCLED



C	ADD NOTES	03-09-07
B	MOVE TEXT TO COLLAR	2-25-07
A	RELEASE PART AND DRAWING	11-04-06
REV.	DESCRIPTION	DATE
REVISIONS		

UNLESS OTHERWISE SPECIFIED:	NAME	DATE
DIMENSIONS ARE IN INCHES	MJK	11-04-06
TOLERANCES:		
FRACTIONAL ±	CHECKED	
ANGULAR: ±1	ENG APPR.	
TWO PLACE DECIMAL ±.01	MFG APPR.	
THREE PLACE DECIMAL ±.005	Q.A.	
INTERPRET GEOMETRIC TOLERANCING PER:	COMMENTS:	
MATERIAL HDPE		
FINISH		
DO NOT SCALE DRAWING		

PROPRIETARY AND CONFIDENTIAL
THE INFORMATION CONTAINED IN THIS
DRAWING IS THE SOLE PROPERTY OF
PRESTIGE SHEET METAL. ANY
REPRODUCTION IN PART OR AS A WHOLE
WITHOUT THE WRITTEN PERMISSION OF
PRESTIGE SHEET METAL IS
PROHIBITED.

TITLE: CEME-TUBE, 48" X Ø 24"		
SIZE DWG. NO. B 4824	REV C	
SCALE: 1:14	WEIGHT:	SHEET 1 OF 1

8 7 6 5 4 3 2 1