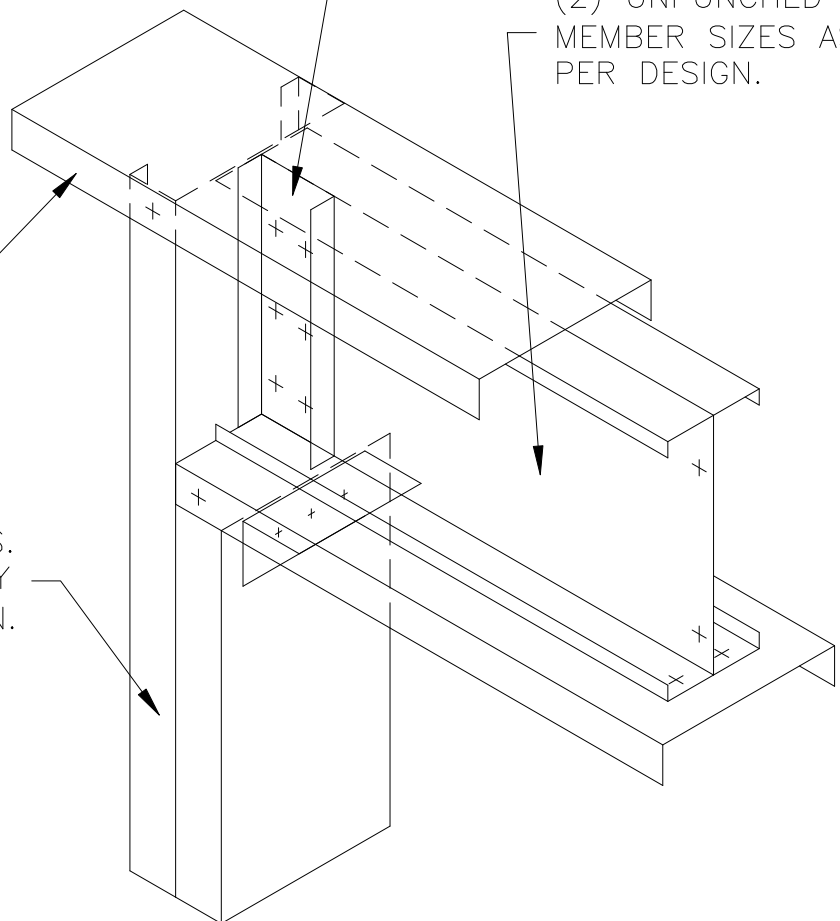


PLACE (1) WEB STIFFENER ABOVE JACK POSTS.
 USE A PIECE OF TRACK ATTACHED TO INSIDE
 OF HEADER STUD WITH SCREWS.
 (TRACK SIZE & SCREW QUANTITY
 AS REQ'D PER DESIGN)
 LENGTH OF TRACK = INSIDE DEPTH
 OF HEADER STUD.

(2) UNPUNCHED STUDS.
 MEMBER SIZES AS REQ'D
 PER DESIGN.

TOP TRACK

JAMB & JACK STUDS.
 MEMBER SIZES & QUANTITY
 AS REQ'D PER DESIGN.



CLARKWESTERN
 DESIGN

East Coast - Atlanta, GA
 20 Mansell Court East, Suite 350B
 Roswell, GA 30076

West Coast - San Diego, CA
 2035 Corte Del Nogal, Suite 165
 Carlsbad, CA 92011

Toll Free Phone: 877-832-3206

WEB STIFFENER CONNECTION

INSIDE A BACK-TO-BACK HEADER