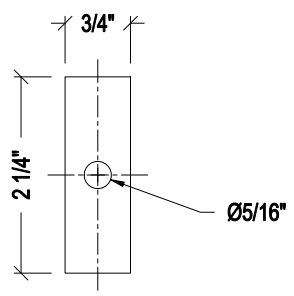
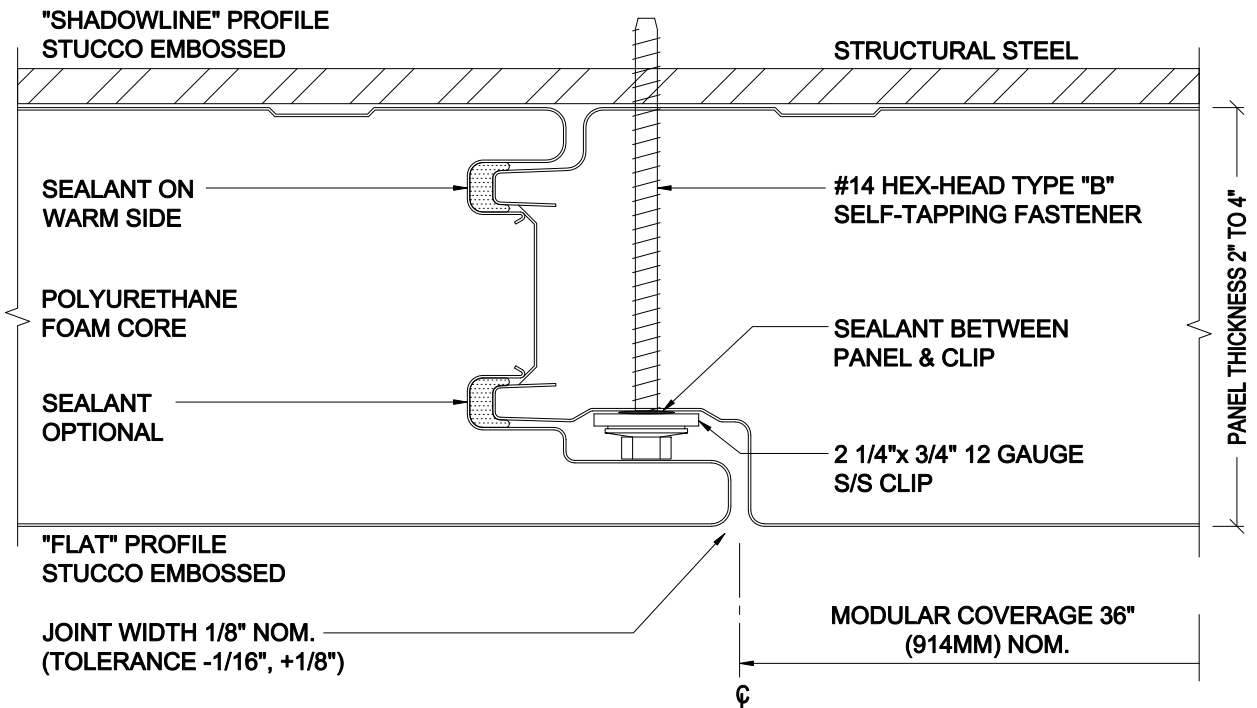
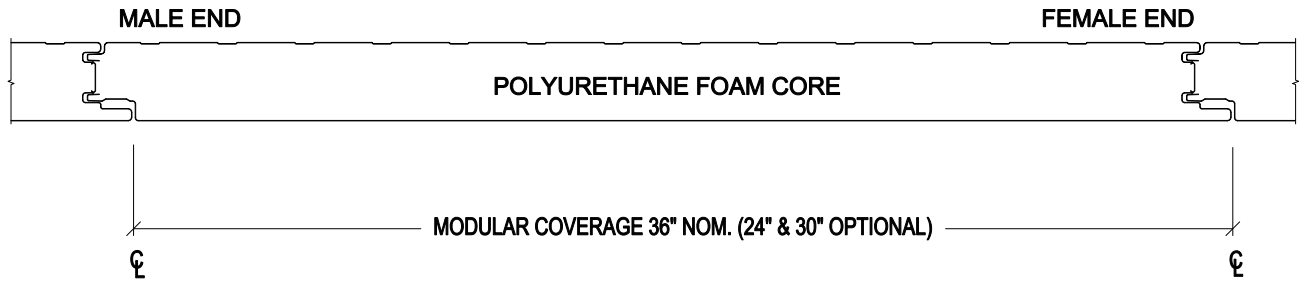
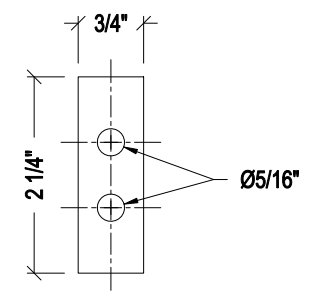


KINGSPAN KS36 FLAT EMBOSSED



12 GA. STAINLESS STEEL SINGLE-HOLE CLIP



12 GA. STAINLESS STEEL DOUBLE-HOLE CLIP

PANEL JOINT DETAIL

DETAIL #: B9

DATE: JAN 2007

© KingSpan Ceiling & Engineering Department, LLC/© KingSpan Insulated Ceiling