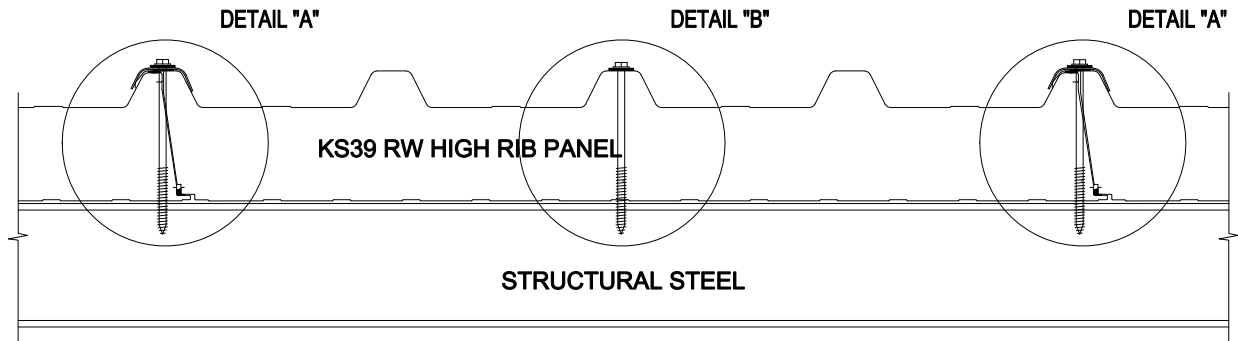
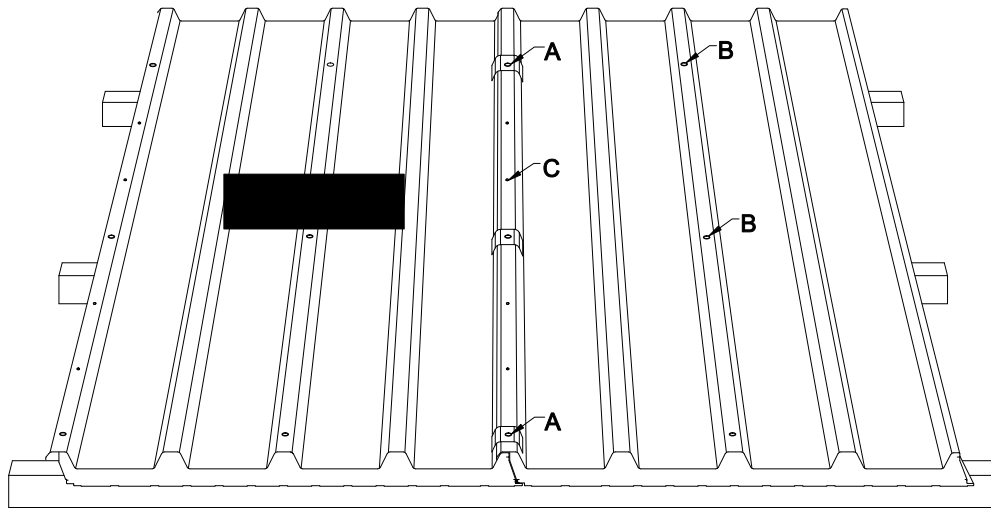


# KINGSPAN KS39 RW HIGH RIB



NOTE: MINIMUM ROOF SLOPE 1 IN 12



A - Ø1/4" #14 HEX-HEAD TYPE "B" FASTENER WITH NEOPRENE WASHER & 16 GA. SADDLE CLIP @ LAP JOINT AND STRUCTURAL PURLIN (FASTENER HEAD, WASHER & 16 GA. SADDLE CLIP TO MATCH PANEL COLOR)

B - Ø1/4" #14 HEX-HEAD TYPE "B" FASTENER WITH NEOPRENE WASHER @ MID RIB AND STRUCTURAL PURLIN (FASTENER HEAD & WASHER TO MATCH PANEL COLOR)

C - #12 HEX-HEAD COLOR-MATE STITCHING FASTENER @ 12" O.C. ALONG PANEL LAP JOINT

**NOTES:**

1. CONSULT FACTORY FOR ALLOWABLE LOADS, SPANS AND FASTENING DETAILS.
2. CONSULT FACTORY ON AVAILABILITY OF VARIOUS FINISHES AND FACING MATERIALS.

**ROOF PANEL FASTENING PATTERN**

DETAIL #: 11

DATE: JAN 2007

K:\Program Drafting & Engineering Department\11001\Roofpanel Inverted 1001.dwg