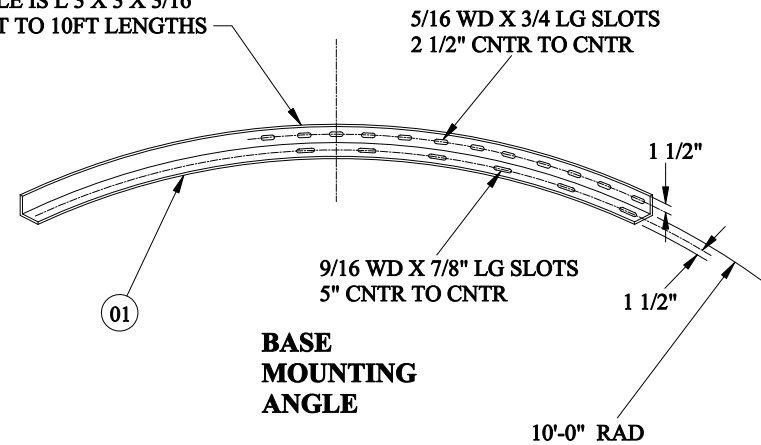


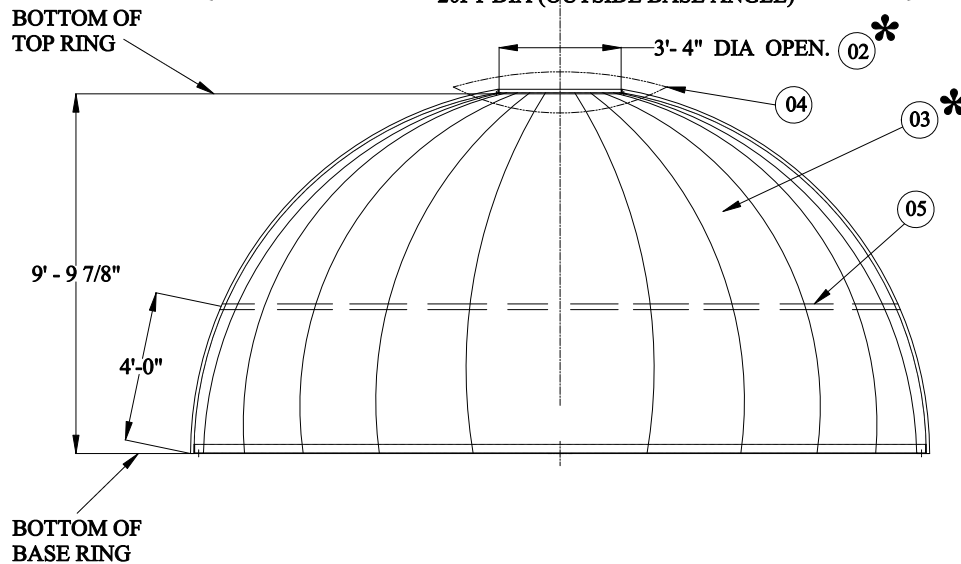
BASE ANGLE IS L 3 X 3 X 3/16"
AND IS CUT TO 10FT LENGTHS



**BASE
MOUNTING
ANGLE**

* NOTE: NUMBER OF PANELS AND DIAMETER OF TOP RING MAY CHANGE DUE TO VARIATIONS IN INDIVIDUAL APPLICATION.

BOTH THIS PRINT AND INFORMATION IN IT IS CONFIDENTIAL AND THE PROPERTY OF DEMUTH STEEL PRODUCTS INC, AND MAY NOT BE USED FOR DESIGN, PRODUCTION, INSTALLATION, OPERATION OF APPARATUS OR PROCESSES EXCEPT UNDER CONTRACT WITH IT.



| | | |
|----|----|--|
| 05 | 1 | WIND KIT - - - (REF. = ADRA) |
| 04 | 1 | 24GA ROOF CAP - - - (REF. = RC55) |
| 03 | 36 | 24GA ROLL FORMED PANELS (REF. = ADA) |
| 02 | 1 | ROLLED 1 1/2 X 1 1/2 X 1/8" L TO 20" RAD (HOT DIPPED GALV) |
| 01 | 6 | ROLLED 3 X 3 X 3/16" L TO 10'-0" RAD (HOT DIPPED GALV) REF = RA197 |

| # | QTY | DESCRIPTION | |
|------------|-----|-------------|------|
| TOLERANCE | | REVISIONS | |
| | | NO | DATE |
| DECIMAL | | BY | |
| ± | | | |
| FRACTIONAL | | DRAWN BY | |
| ± | | JLE | |
| ANGULAR | | CHECKD | |
| ± | | 02/11/03 | |

| | | | |
|--------------------|--|-------------|--|
| A-DOME ROOF (20') | | FINISH | |
| | | NONE | |
| DEMUTH STEEL PROD. | | MATERIAL | |
| | | A-DOME | |
| AD20A | | DRAWING NO. | |
| | | AD20A | |