

RA197

RA197

BASE ANGLE IS 3" X 3" X 3/16"
AND IS CUT TO 10FT LENGTHS.

10FT

SLOTS
5/16" WD X 7/8" LG
1 1/4" CTR. TO CTR.

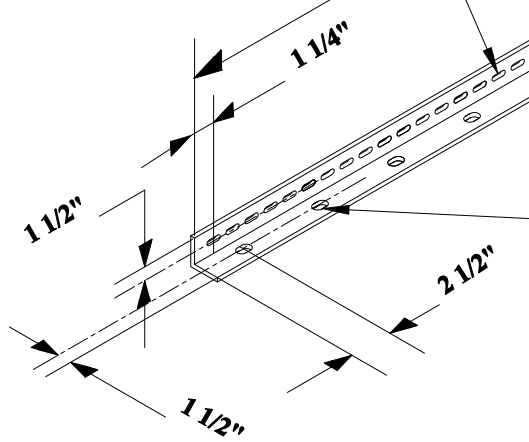
BOTH THIS PRINT AND INFORMATION IN IT
IS CONFIDENTIAL AND THE PROPERTY OF
DEMUTH STEEL PRODUCTS INC, AND MAY
NOT BE USED FOR DESIGN, PRODUCTION,
INSTALLATION, OPERATION OF APPARATUS
OR PROCESSES EXCEPT UNDER CONTRACT
WITH IT.

NOTE: HOT DIP GALVANIZE AFTER FORMING.

NOTE: RA197 IS ROLLED TO CORRECT RADIUS
WHEN BASE MOUNTING ANGLE RING IS MADE.

NOTE: REDRAWN 9/03/02 JLE

SLOTS
9/16" WD X 7/8" LG
5" CTR. TO CTR.



TOLERANCE	REVISIONS			3" BASE MTG ANGLE DEMUTH STEEL PROD.			
	NO	DATE	BY				
DECIMAL ±							
FRACTIONAL ±				DRAWN BY JLE	FINISH GALV	MATERIAL A3/16X3X	
ANGULAR ±				CHECKED	USED ON DOME ROOF	DRAWING NO. RA197	
				DATE 9/03/02	WORKBY 37.1#	SCALE NONE	

B-FORM (11 X 17)