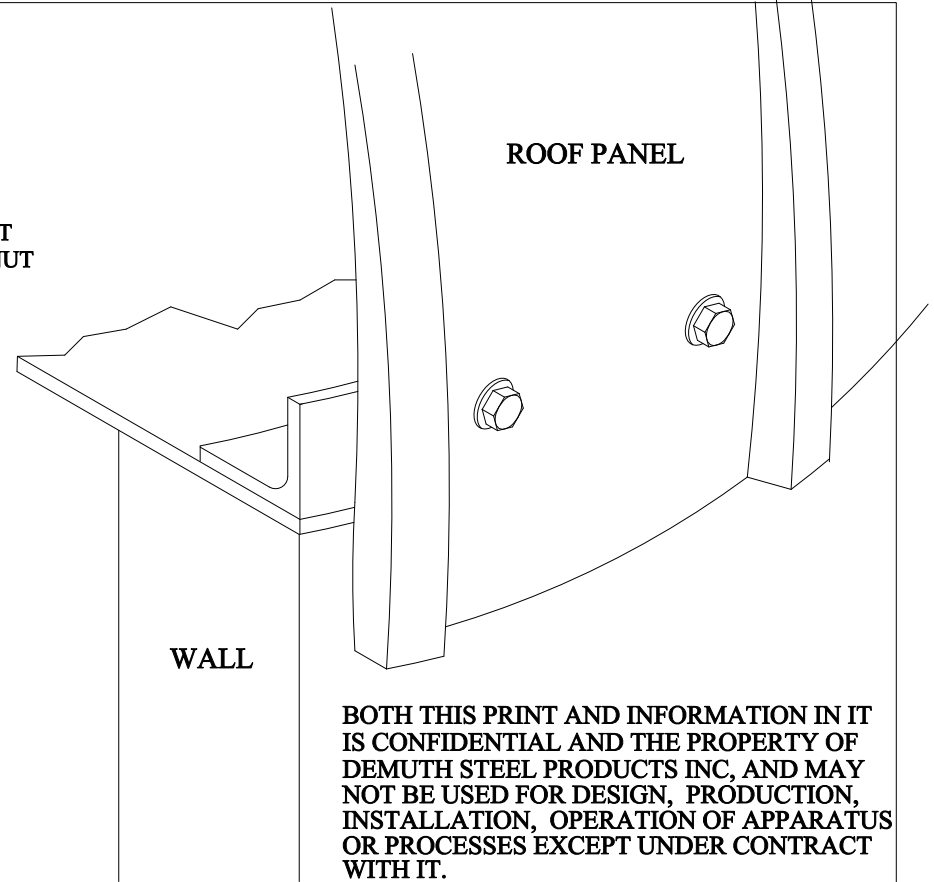
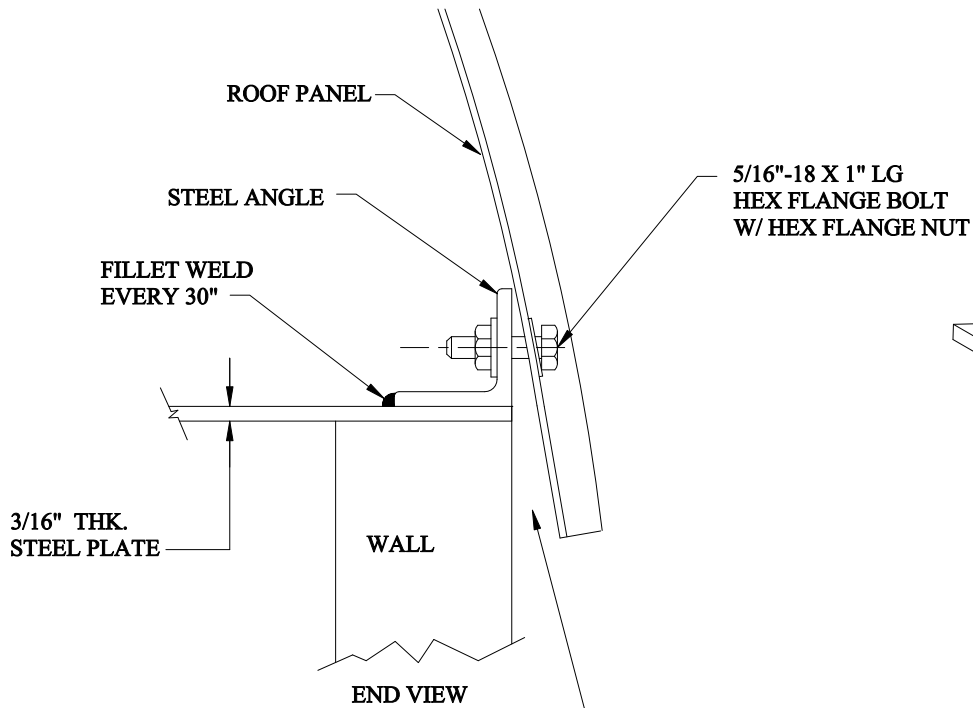


# ADFASTN4

# ADFASTN4



BOTH THIS PRINT AND INFORMATION IN IT IS CONFIDENTIAL AND THE PROPERTY OF DEMUTH STEEL PRODUCTS INC, AND MAY NOT BE USED FOR DESIGN, PRODUCTION, INSTALLATION, OPERATION OF APPARATUS OR PROCESSES EXCEPT UNDER CONTRACT WITH IT.

**NOTE** : BOTTOM OF PANEL MAY DENT WHEN TIGHTENING IF VERTICAL FLANGE OF BASE ANGLE IS NOT "FLUSH" WITH BOTTOM OF PANEL.

- 1) BEND VERTICLE FLANGE IN TO "MATE" WITH PANEL.
  - OR**
  - 2) PLACE "FILLER" WASHERS BETWEEN ANGLE AND PANEL.
- DO NOT OVERTIGHTEN.**

REV.1 = ADDED NOTE ABOUT PANEL DENTING.

TOLERANCE	REVISIONS			ROOF PANEL ATTACH. DEMUTH STEEL PROD.			
	NO	DATE	BY				
DECIMAL ±	1	2/24/03	JP	DRAWN BY JLE			
FRACTIONAL ±							
ANGULAR ±				DAYS 8/28/02			
				DRAWING NO. ADFASTN4			