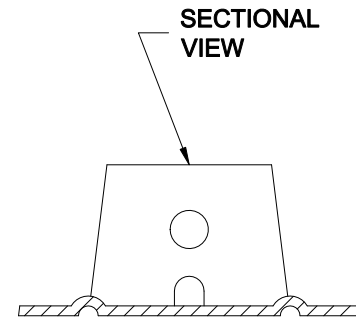
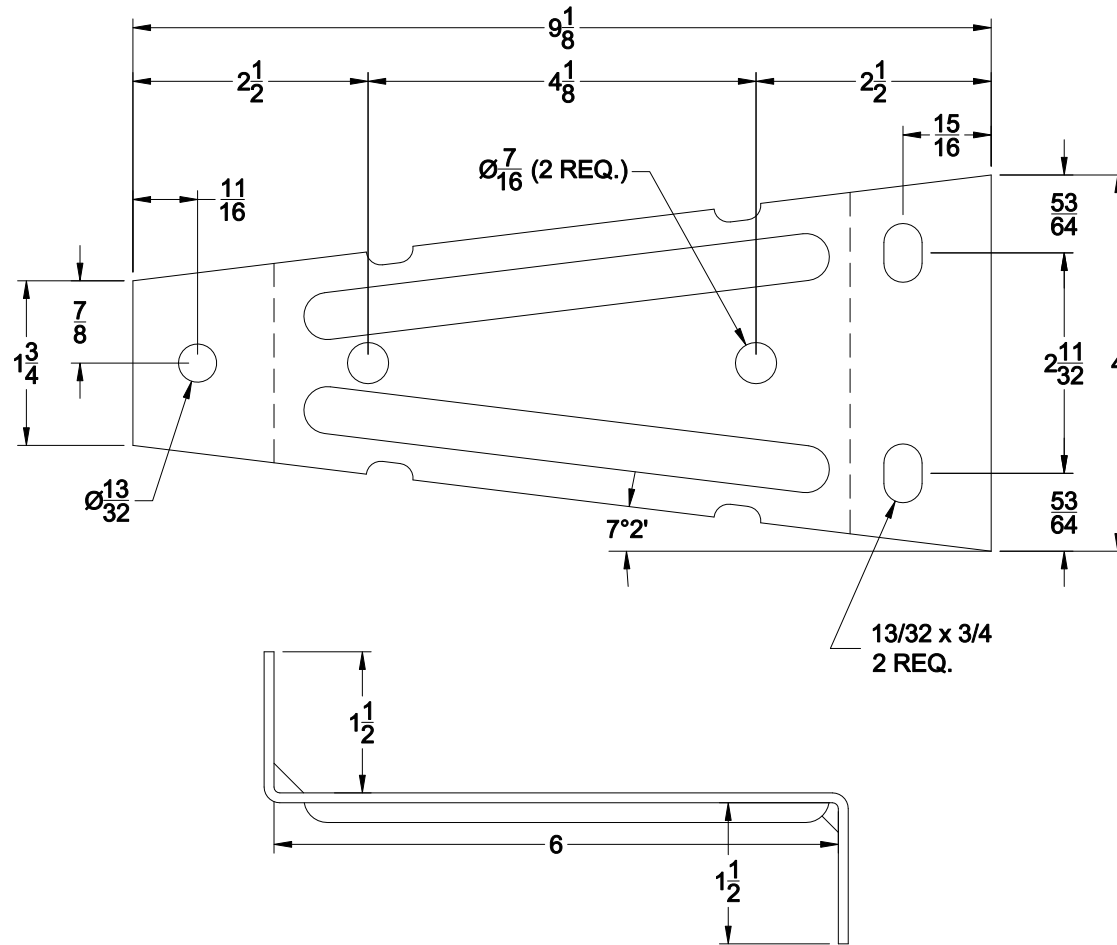


D505



DICHROMATED - DIE FORMED

| TOLERANCE | REVISIONS | | | MOUNTING BRKT - SUPER LDR | | | | | | | | | |
|--------------------|-----------------------|------------------------|----|---|--------------------|-----------------------|------------------------|---------|---------|-------------|------------------|----------------|---------------|
| | NO | DATE | BY | | | | | | | | | | |
| DECIMAL ± | | | | DEMUTH STEEL PROD. | | | | | | | | | |
| FRACTIONAL ± | | | | | | | | | | | | | |
| ANGULAR ± | | | | <table border="1"> <tr> <td>DRAWN BY T.B.L.</td> <td>FINISH DICHROMATED</td> <td>MATERIAL 12 GA. HRS</td> </tr> <tr> <td>CHECKED</td> <td>USED ON</td> <td>DRAWING NO.</td> </tr> <tr> <td>DATE 02/02/79</td> <td>WEIGHT 0.71</td> <td>SCALE FULL</td> </tr> </table> | DRAWN BY T.B.L. | FINISH DICHROMATED | MATERIAL 12 GA. HRS | CHECKED | USED ON | DRAWING NO. | DATE 02/02/79 | WEIGHT 0.71 | SCALE FULL |
| DRAWN BY T.B.L. | FINISH DICHROMATED | MATERIAL 12 GA. HRS | | | | | | | | | | | |
| CHECKED | USED ON | DRAWING NO. | | | | | | | | | | | |
| DATE 02/02/79 | WEIGHT 0.71 | SCALE FULL | | | | | | | | | | | |