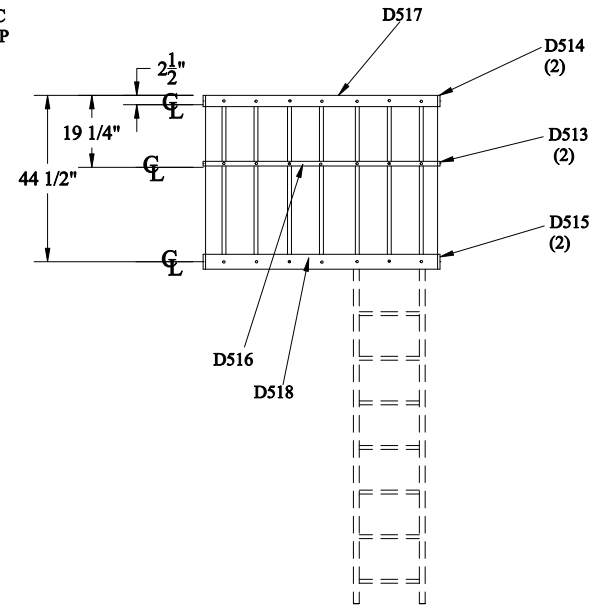
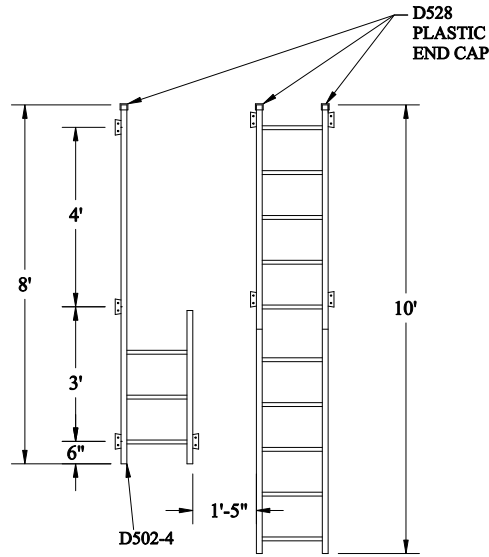
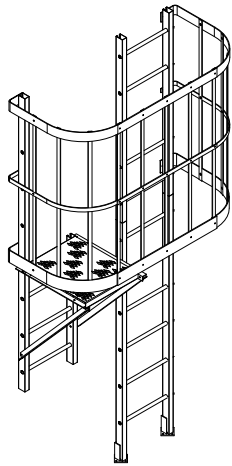


D509T

D509T



LADDER  
LENGTHS  
VARIABLE

CAGE  
ASSEMBLY

TOLERANCE	REVISIONS				DEMUTH STEEL PROD.				
	NO	DATE	DESCRIPTION	BY					
DECIMAL					TOP PLATFORM OFFSET				
±									
FRACTIONAL					DRAWN BY	FINISH	MATERIAL		
±					CA				
ANGULAR					CHK'D	USED ON	DRAWING NO.		REV.
±					DATE	WEIGHT	SCALE	D509T	
					09/12/07		1=1		

B-FORM (11 X 17)