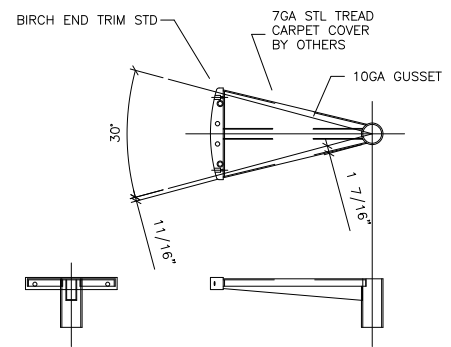
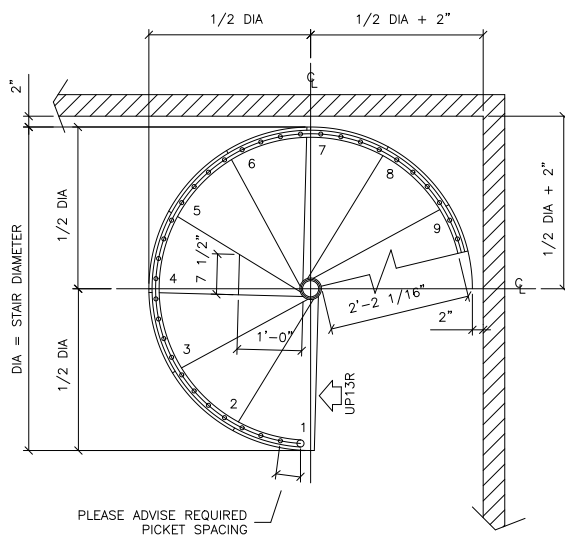


TYPICAL PLAN AT UPPER LEVEL

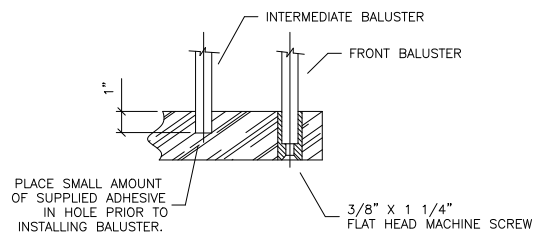
PLATFORMS FABRICATED TO SQUARE, ROUND, OR SPECIAL SHAPES.



TYPICAL TREAD



TYPICAL PLAN AT LOWER LEVEL



BALUSTER DETAIL

THIS DRAWING IS OUR INTERPRETATION OF WHAT IS NECESSARY TO MEET YOUR SPECIFICATIONS AND CONDITIONS ON THIS JOB. YOUR APPROVAL INDICATES THAT YOU HAVE FOUND THIS DRAWING TO BE ACCEPTABLE AND ANY FIELD REWORK NECESSARY TO MEET CONDITIONS DIFFERENT FROM THOSE SHOWN WILL NOT BE THE RESPONSIBILITY OF DUVINAGE. CUSTOMER IS RESPONSIBLE FOR COMPLIANCE WITH ANY APPLICABLE LOCAL CODES.



DUVINAGE CORPORATION  
P.O. BOX 828-60 WEST DAK RIDGE DR. HAGERSTOWN, MD 21740



CUSTOMER:

PROJECT:

REVISIONS

A TSM 12/24/03

DESIGN: 165

DIAMETER: 5'-0"

DEGREE: 30°

HAND: L.H.

DRAWN BY: PAR 8/26/02

CHECKED BY: -

SCALE: 3/4"=1'-0"

CUSTOMER NO. -

SHEET 1 OF 1

DRAWING NO.

W-0007