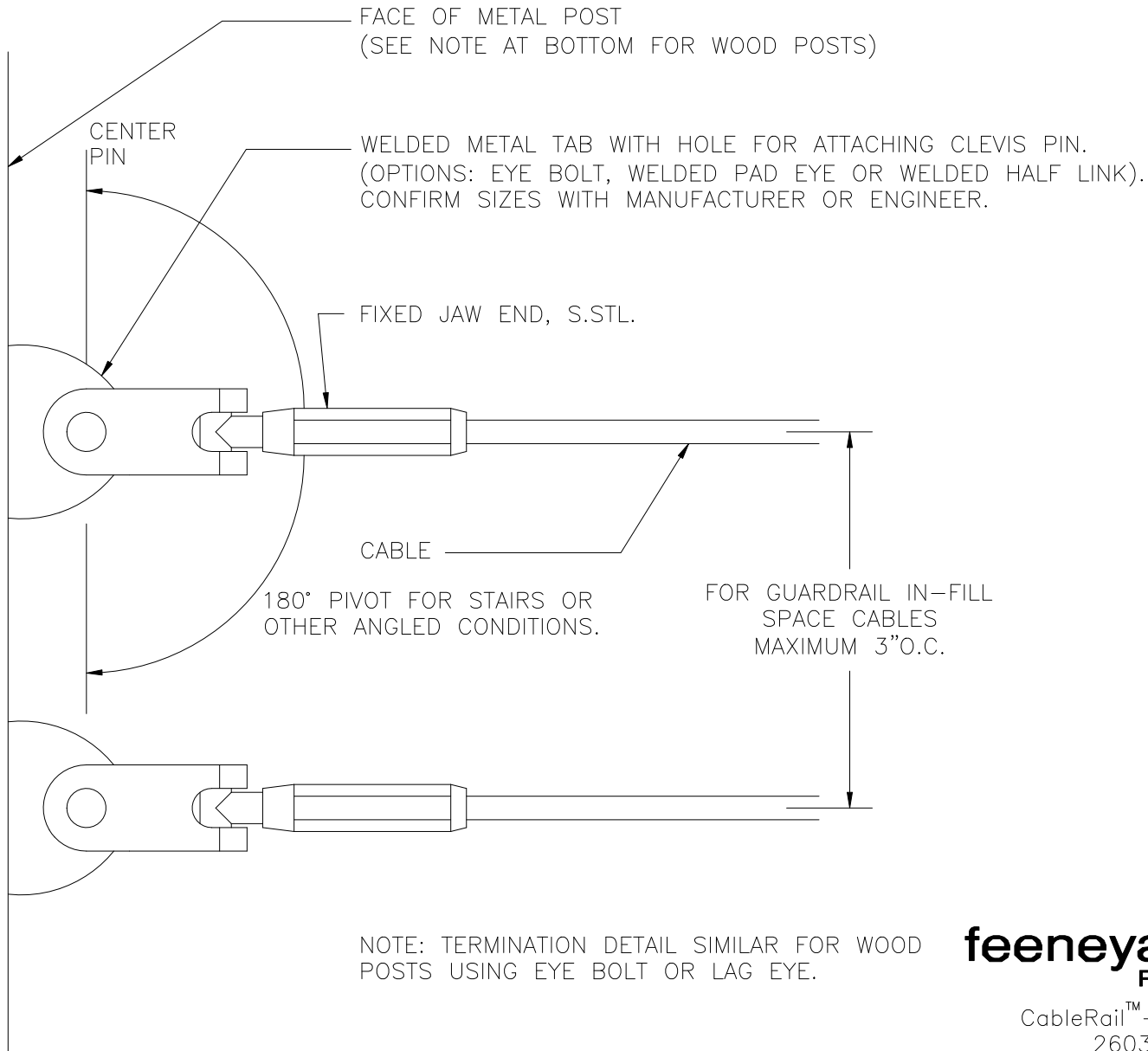


FIXED JAW END – HORIZONTAL TERMINATION ON POST/WALL
(DETAILS TYPICAL FOR 1/8", 3/16" & 1/4" CABLE)

DWG # 187-FJE TERM REV 2
DATE 11/07



NOTE: TERMINATION DETAIL SIMILAR FOR WOOD POSTS USING EYE BOLT OR LAG EYE.

feeneyarchitectural
PRODUCTS

CableRail™ – Custom Assemblies
2603 Union Street
Oakland, CA 94607-2423
Ph: 800-888-2418 or 510-893-9473
Fx: 510-893-9484, www.cablerail.com