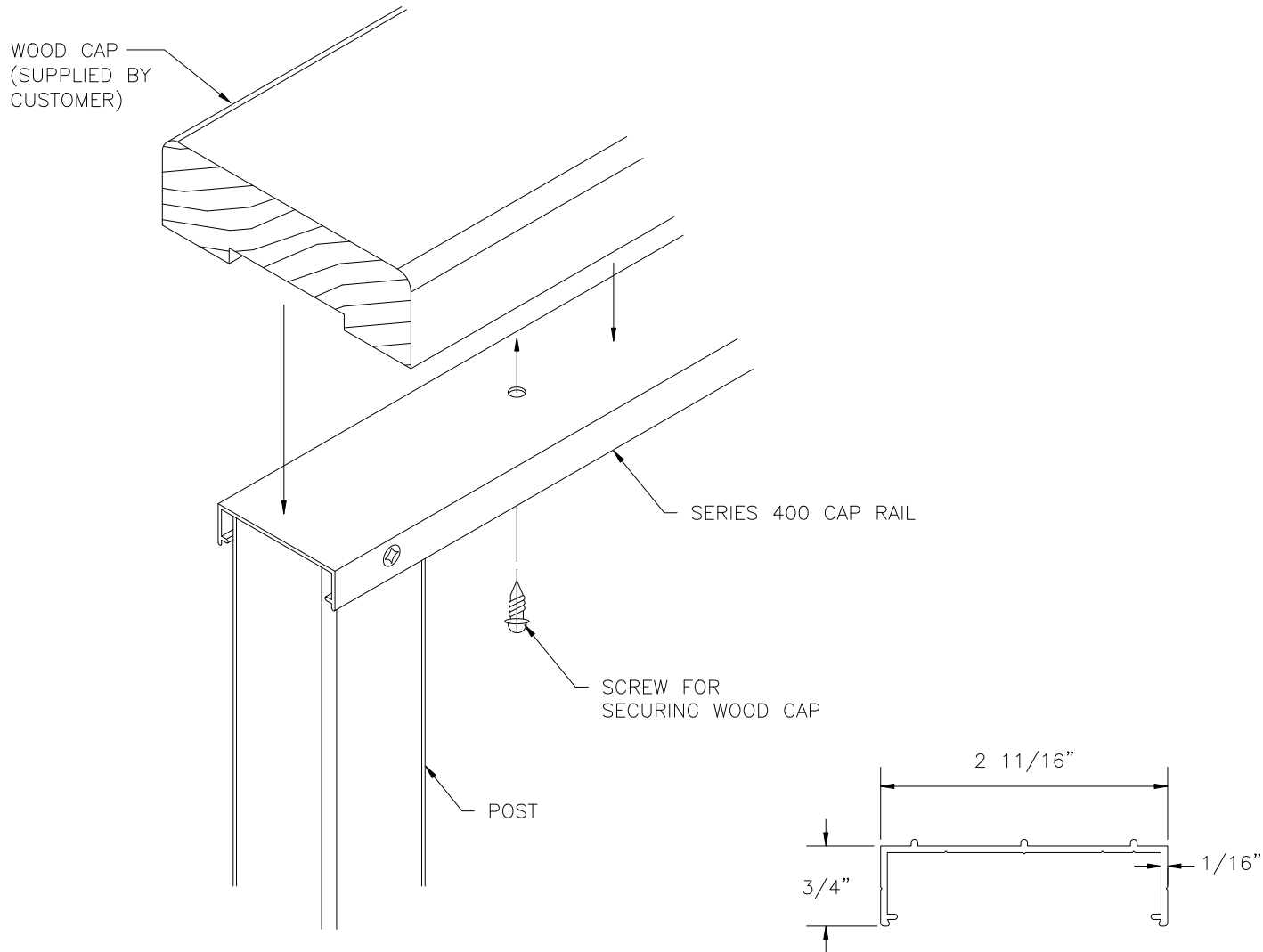


CAP RAIL: SERIES 400 LOW PROFILE
(FOR SUPPORTING CUSTOMER SUPPLIED WOOD CAP RAIL)

DWG # CAP 400 REV 1
DATE 11/07



feeneyarchitectural
PRODUCTS

DesignRail™—Railing Systems
2603 Union Street
Oakland, CA 94607-2423
Ph: 800-888-2418 or 510-893-9473
Fx: 510-893-9484, www.designrail.com