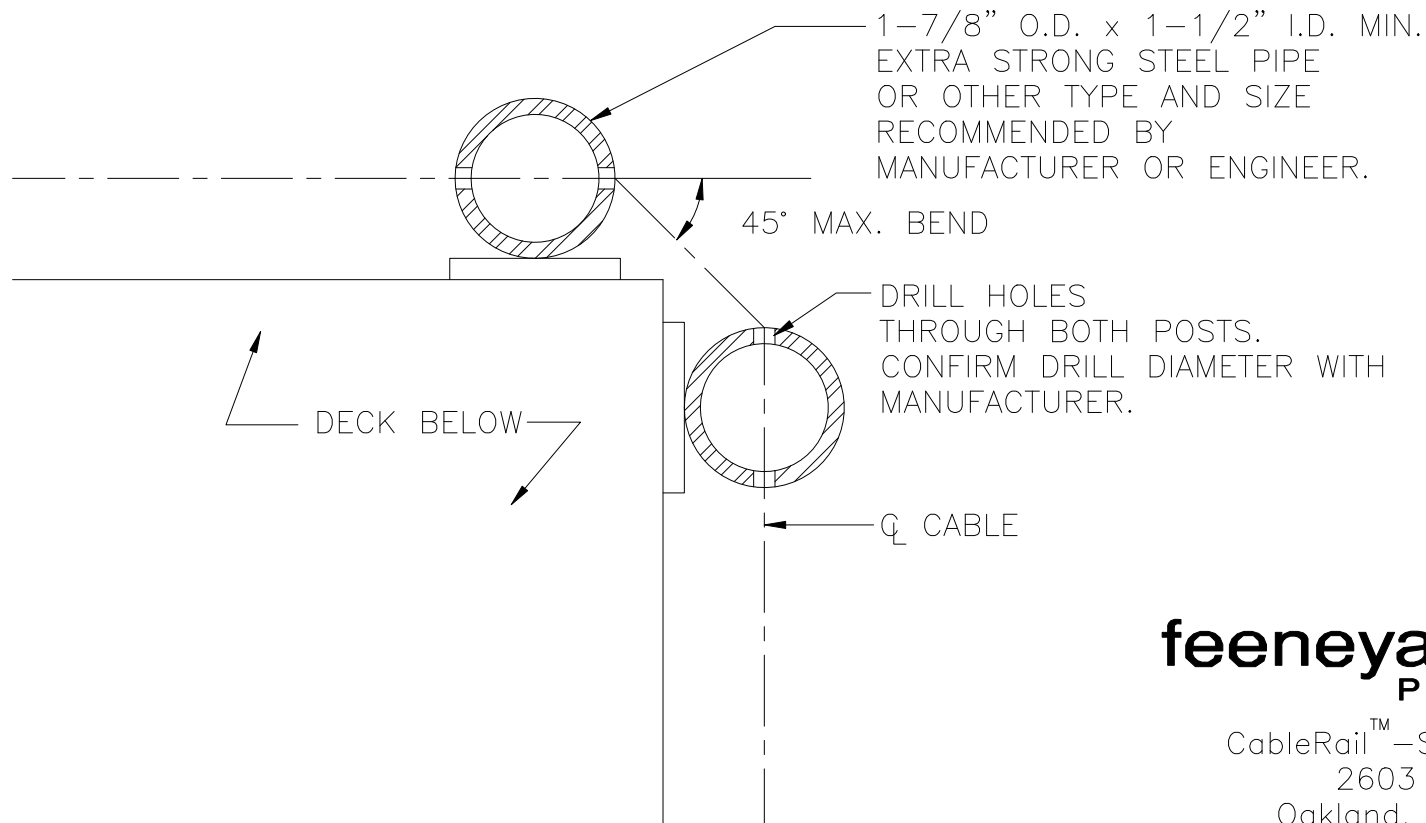


DWG # STL DBL CORNER 1 REV 3  
DATE 11/07

CORNERS: DOUBLE STEEL PIPE POSTS WITH  
CABLES RUNNING CONTINUOUSLY.

NOTE: DETAIL IS TYPICAL FOR 1/8", 3/16" AND  
1/4" DIAMETER STANDARD CABLERAIL™ ASSEMBLIES.



**feeneyarchitectural**  
P R O D U C T S

CableRail™ - Standard Assemblies  
2603 Union Street  
Oakland, CA 94607-2423

Ph: 800-888-2418 or 510-893-9473  
Fx: 510-893-9484, [www.cablerail.com](http://www.cablerail.com)