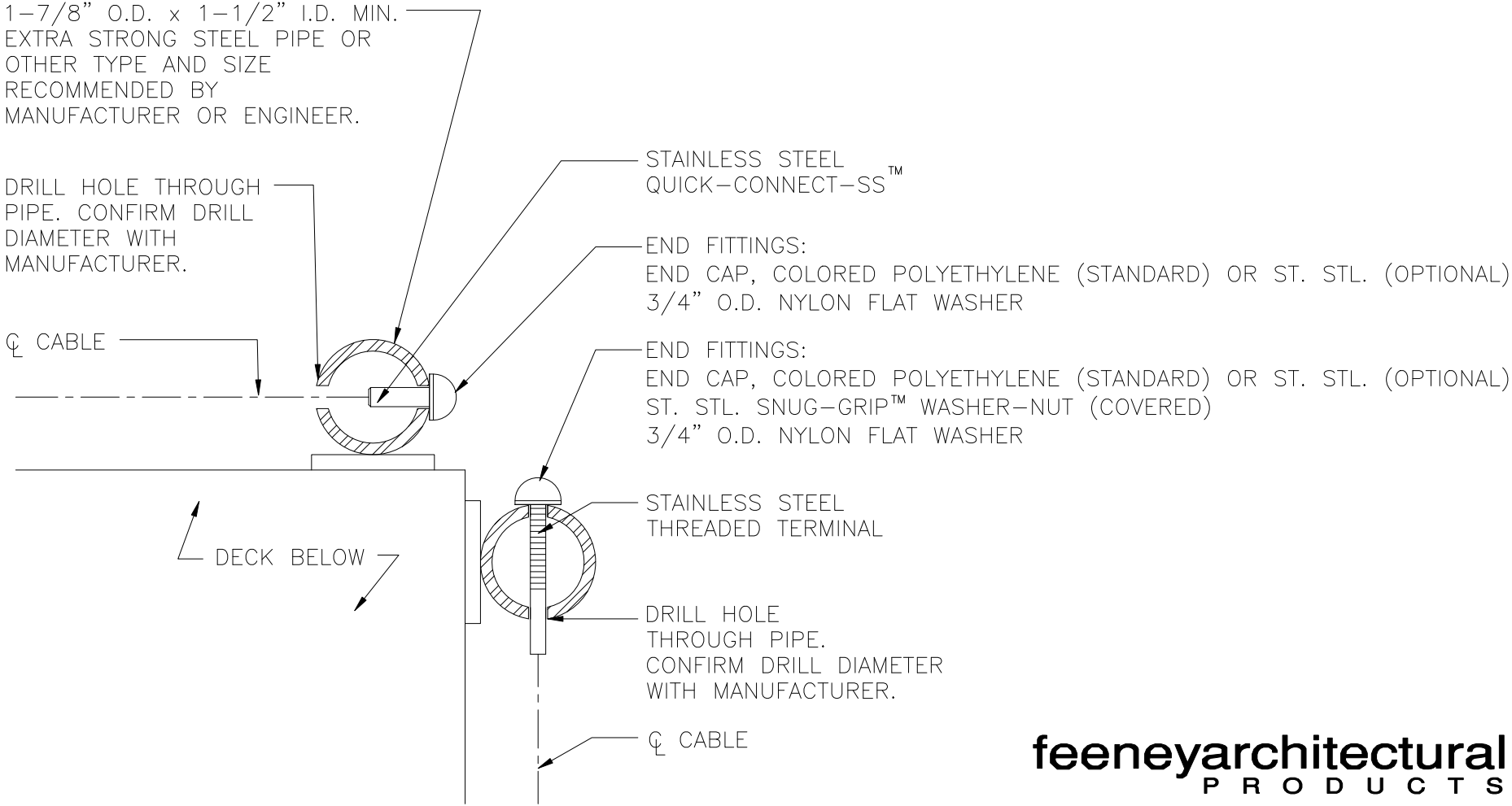


CORNERS: DOUBLE STEEL PIPE POST WITH
CABLES TERMINATING

DWG # STL DBL CORNER 2 CAP REV 4
DATE 11/07

NOTE: DETAIL IS TYPICAL FOR 1/8", 3/16" AND
1/4" DIAMETER STANDARD CABLERAIL™ ASSEMBLIES.



feeneyarchitectural
PRODUCTS

CableRail™ - Standard Assemblies
2603 Union Street
Oakland, CA 94607-2423
Ph: 800-888-2418 or 510-893-9473
Fx: 510-893-9484, www.cablerail.com