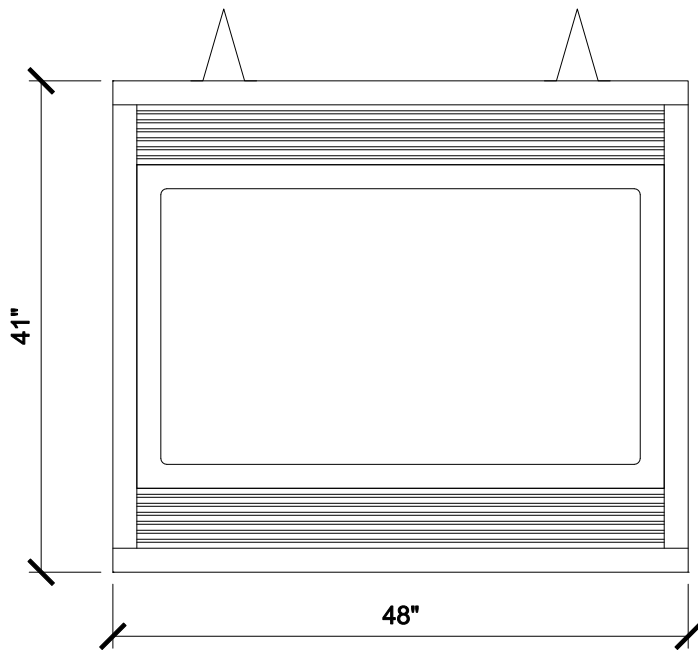
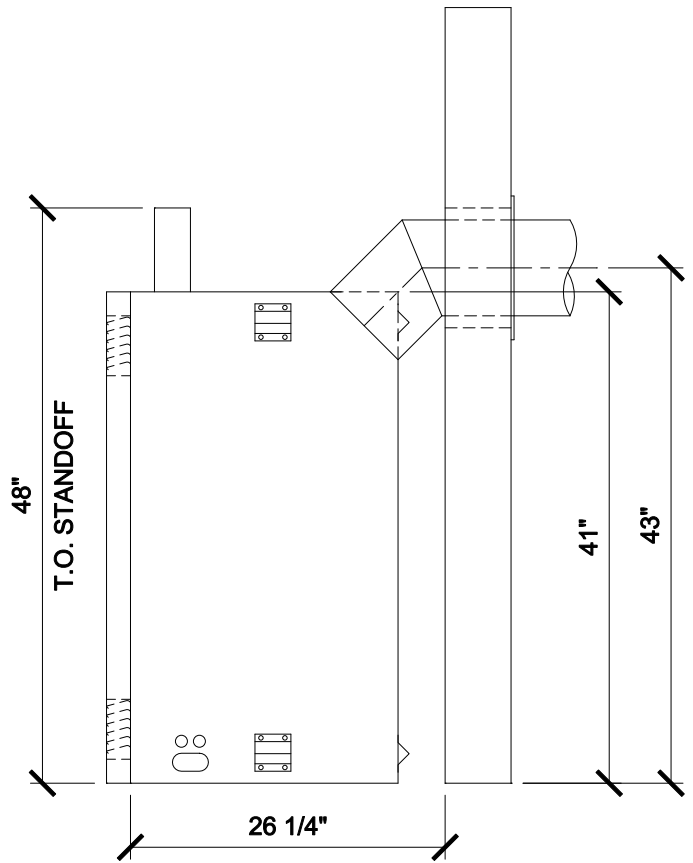


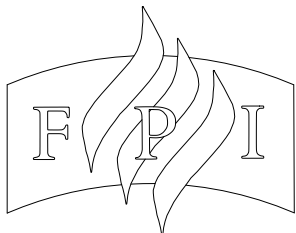
TOP VIEW



FRONT VIEW



SIDE VIEW



PROJECT TITLE:
**FPI FIREPLACE PRODUCTS
 INTERNATIONAL LTD.**

SHEET TITLE:
REGENCY PANORAMA P48

DATE: FEB. 2005

DRAWN: U.D.S. Ltd.

DESIGNED: U.D.S. Ltd.

APPROVED:

DRAWING No.: 1 of 1

P48

REV.: 0