

TOOL BOX	1	2	HURCO DIMS	1	2	3
----------	---	---	------------	---	---	---

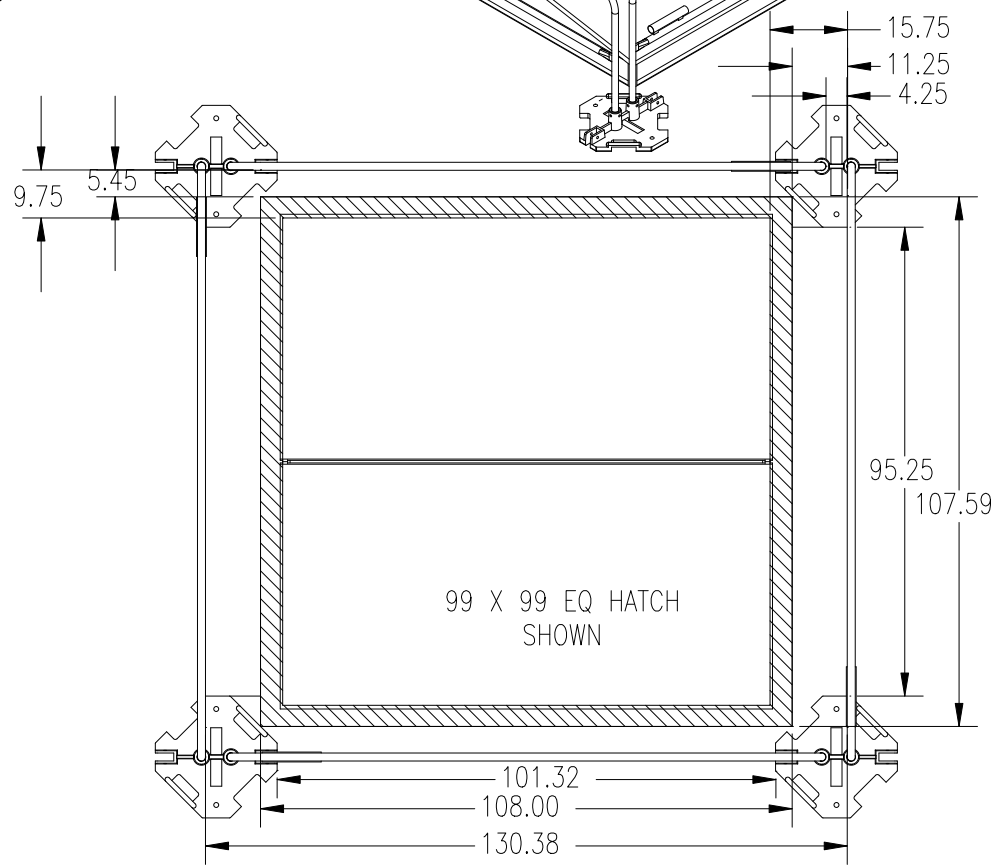
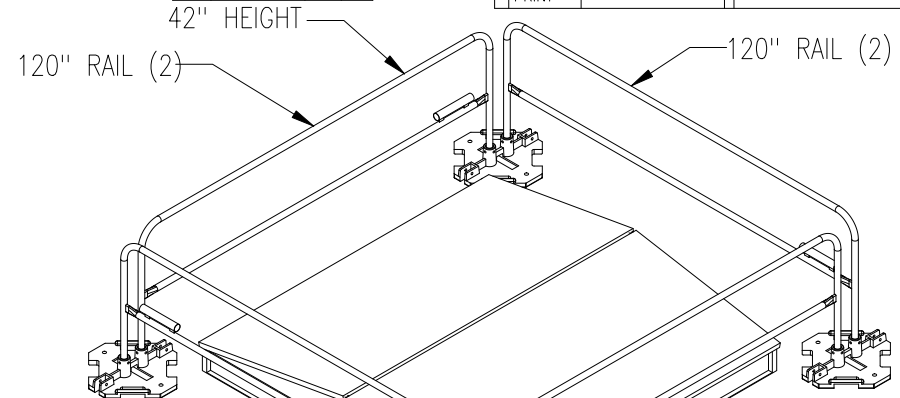
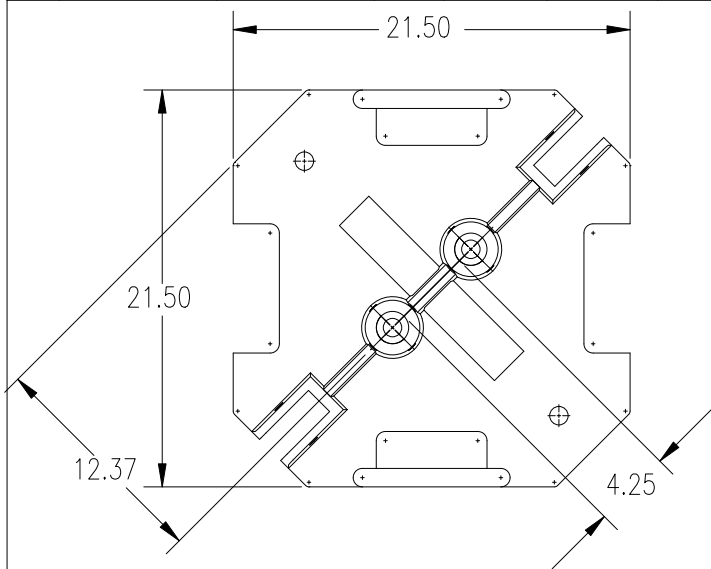
CUT LIST	QTY PER
----------	---------

LATEST PRINT

DRG. NO.

SHT. 1 of 1

REV.



Maximum Length & Width Combinations List

--

REVISION BLOCK	
L	DESCRIPTION OF REVISION

MAT'L DESC.	-
MAT'L NO.	-
PART	-
WGT.	0.00 0.01
BLANK	0.000 0.005
QTY.	ANGLE 0.50
PART FINISH	NONE

FRONT	R. SIDE
TOLERANCES U.O.S.	
FRAC 1/64	
WGT. 0.00 0.01	
BLANK 0.000 0.005	
ANGLE 0.50	
DWN.	DATE
CDS	8/29/2003

GARLOCK EQUIPMENT CO.
Copyright GARLOCK EQUIPMENT CO. 1997

120X120 Equip Hatch

SIZE B	DO NOT SCALE DRAWING	THIS DOCUMENT CONTAINS CONFIDENTIAL PROPRIETARY INFORMATION OF GARLOCK EQUIPMENT CO. AND IS NOT TO BE DISCLOSED TO OTHERS
SCALE 1:8	SCALE	