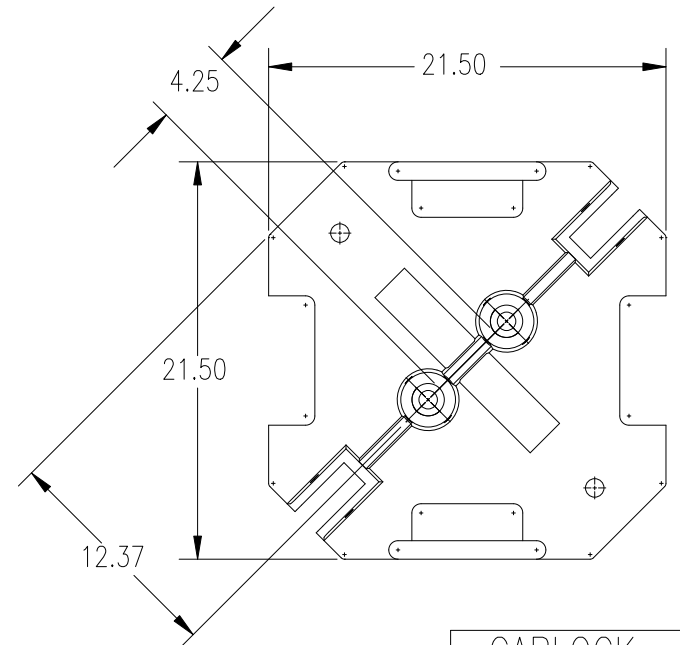


Maximum Length & Width Combinations List

--



REVISION BLOCK		MATERIAL DESCRIPTION	 FRONT R. SIDE	GARLOCK EQUIPMENT CO. <small>Copyright GARLOCK EQUIPMENT CO. 1997</small>	
L	DESCRIPTION OF REVISION			DATE/#	48X48 Sky Light
		MATERIAL NO.	TOLERANCES U.O.S.		SIZE B DO NOT SCALE DRAWING
		PART	FRAC 1/64		
		WGT.	0.00 0.01		
		BLANK	0.000 0.005		
		QTY.	ANGLE 0.50		
		PART FINISH	DWN. DATE	SCALE	THIS DOCUMENT CONTAINS CONFIDENTIAL PROPRIETARY INFORMATION OF GARLOCK EQUIPMENT CO. AND IS NOT TO BE DISCLOSED TO OTHERS
		NONE	CDS 8/29/2003	1:8	