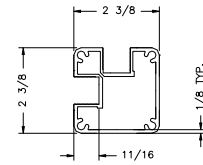
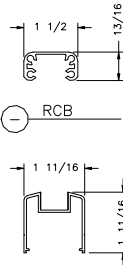


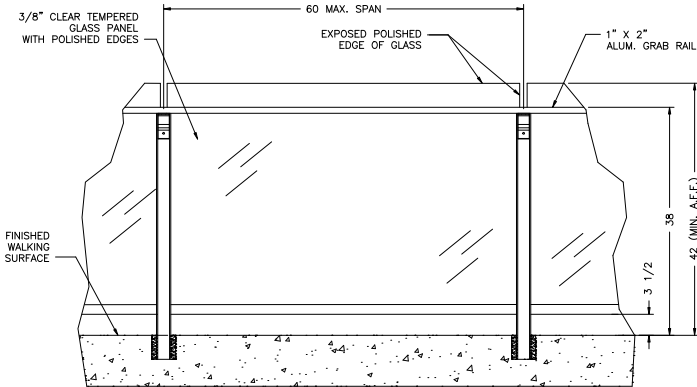
IN-LINE POST



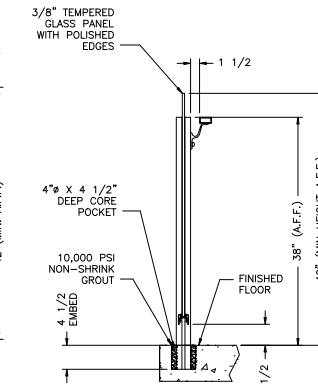
CORNER POST



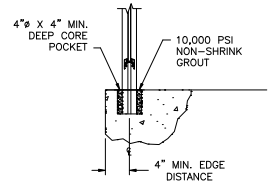
BOTTOM RAIL



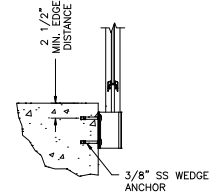
TYPICAL ELEVATION



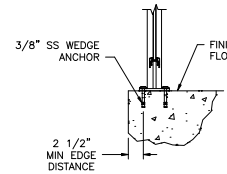
TYPICAL SECTION



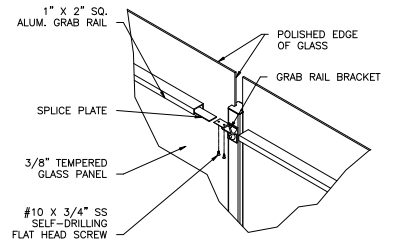
CORE MOUNT



FASCIA MOUNT

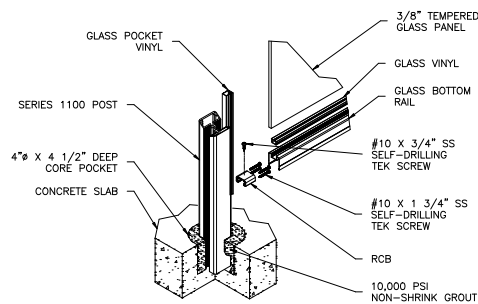


SURFACE MOUNT

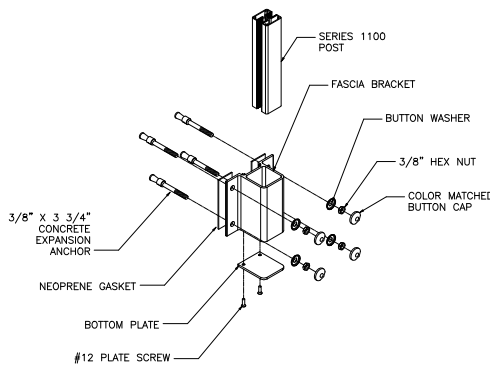


SPLICE DETAIL

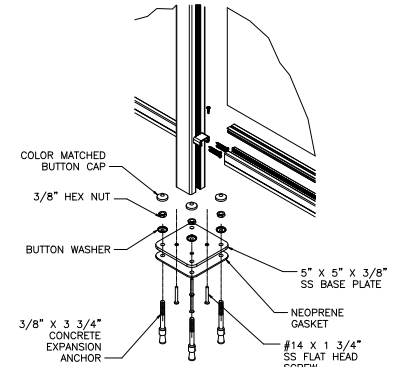
NOTE:  
 WHEN SURFACE MOUNTING WITH  
 BASE PLATES, MAXIMUM POST SPAN IS 4' - 0"



CORE POCKET DETAIL



FASCIA MOUNTING DETAIL



SURFACE MOUNT DETAIL