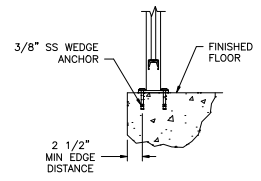
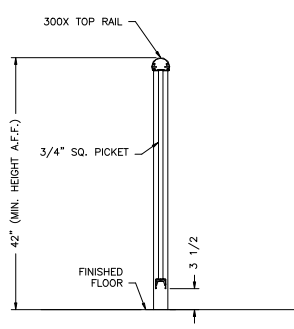
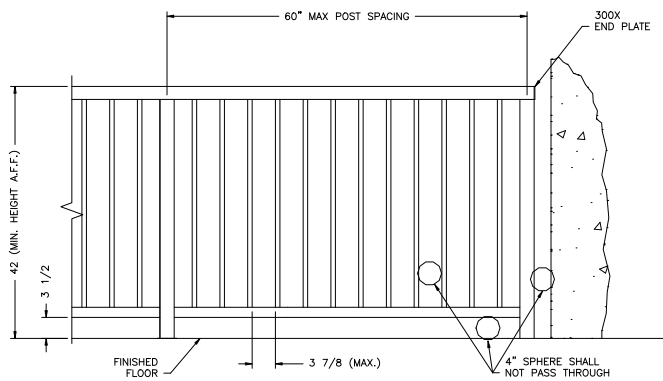
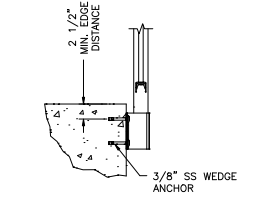
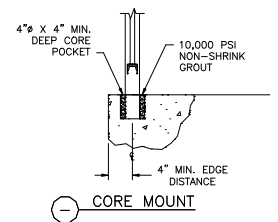


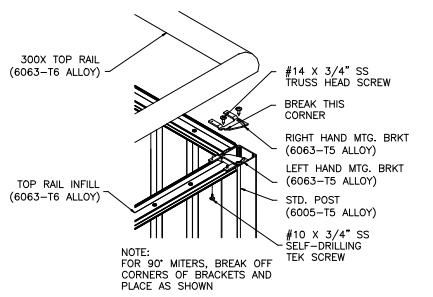
NOTE:
 SEE TOP RAIL PROFILE
 PAGE FOR ALL HANSEN
 TOP RAILS



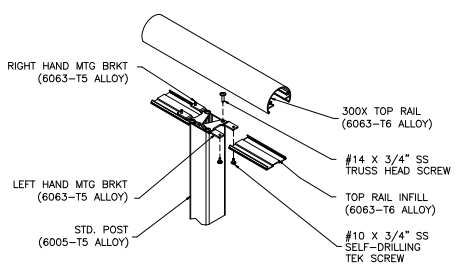
TYPICAL ELEVATION

TYPICAL SECTION

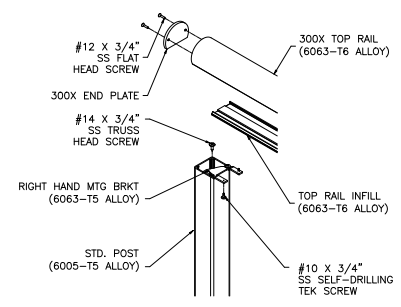
SURFACE MOUNT



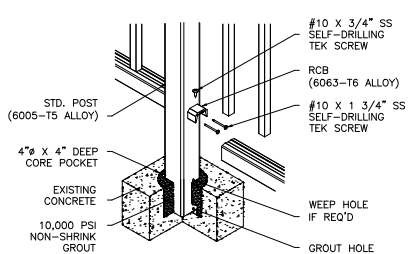
TYP. CORNER CONNECTION



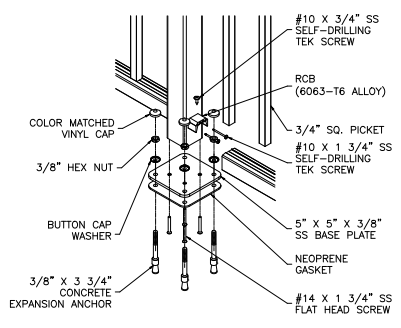
TYP. TOP RAIL CONNECTION



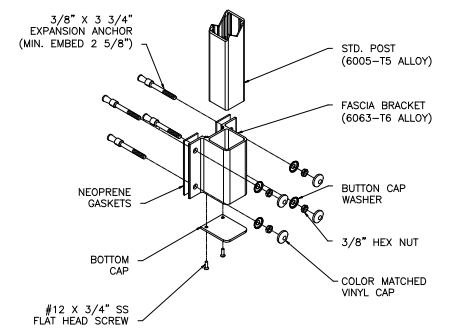
END CONDITION DETAIL



POST ONLY CORE POCKET DETAIL



SURFACE MOUNTING DETAIL



FASCIA MOUNTING DETAIL