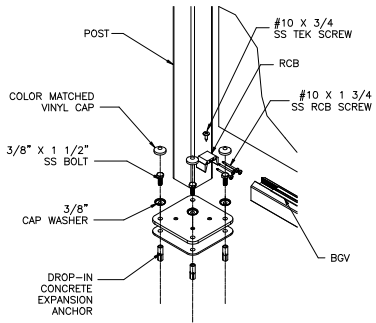
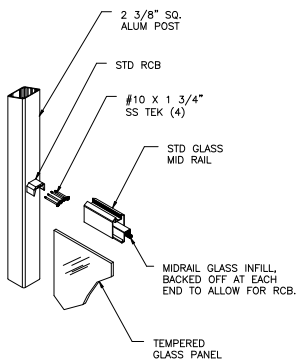


— TYPICAL SECTION

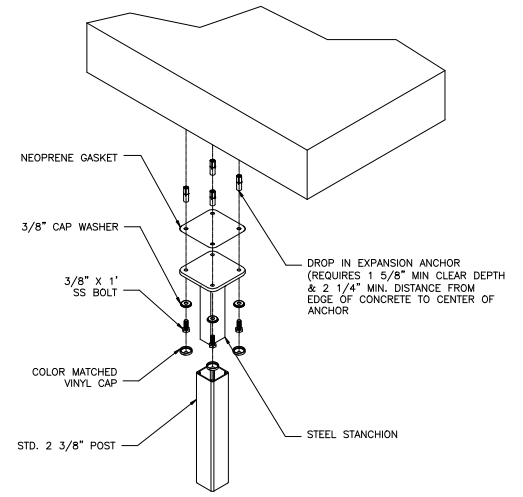
— TYPICAL ELEVATION



(A) SURFACE MOUNTING DETAIL



(A) SURFACE MOUNTING DETAIL



(A) SURFACE MOUNTING DETAIL