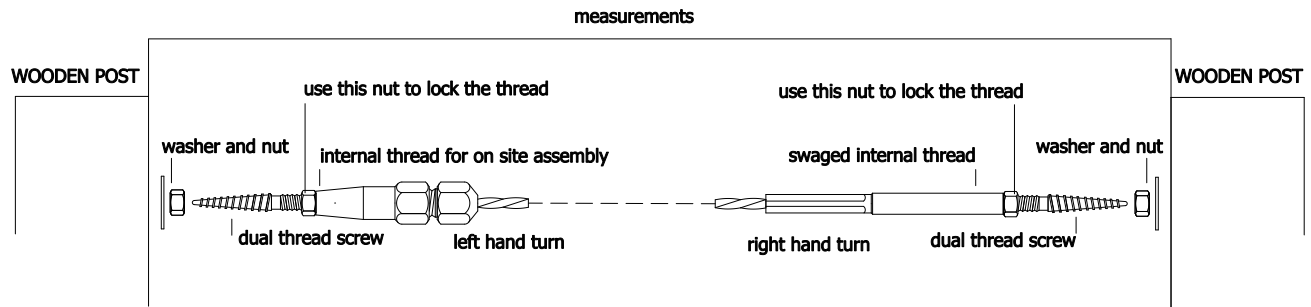


# Jakob, Inc.

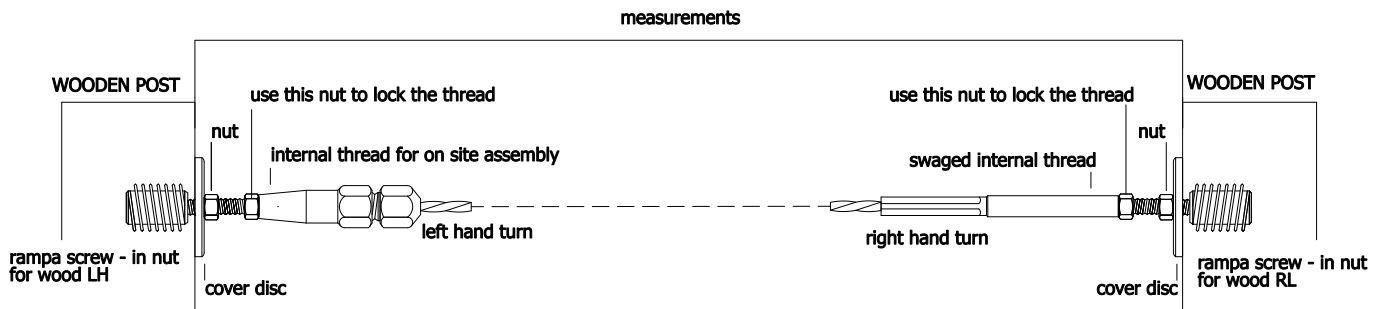
955 NW 17th Street, Suite B  
 Delray Beach, Florida 33445  
 Telephone: 561-3306502  
 Fax: 561-330-6508

TYPE A	Wood Post	On site assembly Swaged internal threads
--------	-----------	---

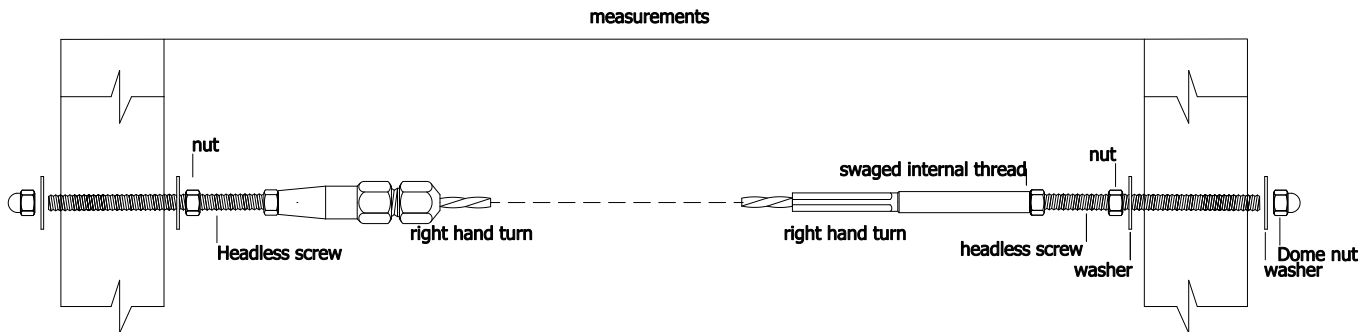
## ASSEMBLY FOR HORIZONTAL RUNS



ASSEMBLY 1



ASSEMBLY 2



ASSEMBLY 3