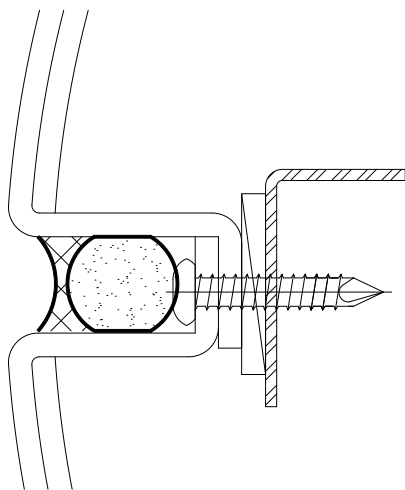
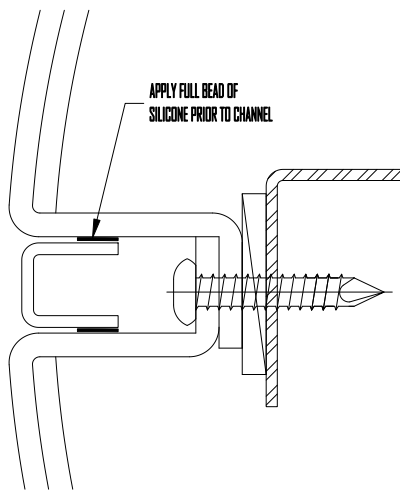


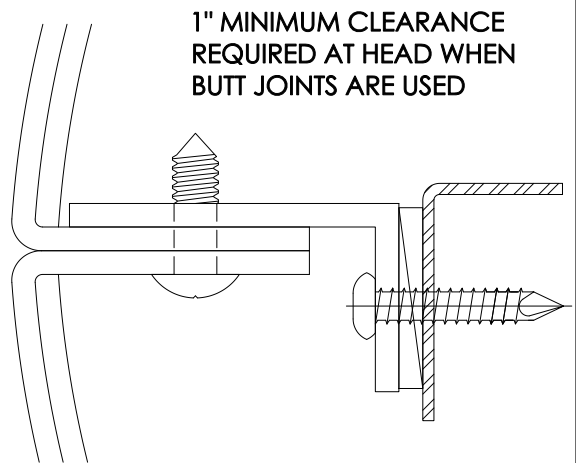
## 6. ROUND COLUMN CLADDING



7. VERTICAL JOINT



7A. ALTERNATE JOINT



8. ALTERNATE BUTT JOINT

**KANALCO LIMITED**

345 Lake Road, Bowmanville, Ontario, Canada L1C 4P8  
Tel: 1-800-268-8139 Fax: 888-779-9914  
e-mail: sales@kanalco.com www.kanalco.com

TITLE

**COLUMN PLAN DETAILS  
ALUMINUM PLATE SYSTEM**

**PAGE  
02**