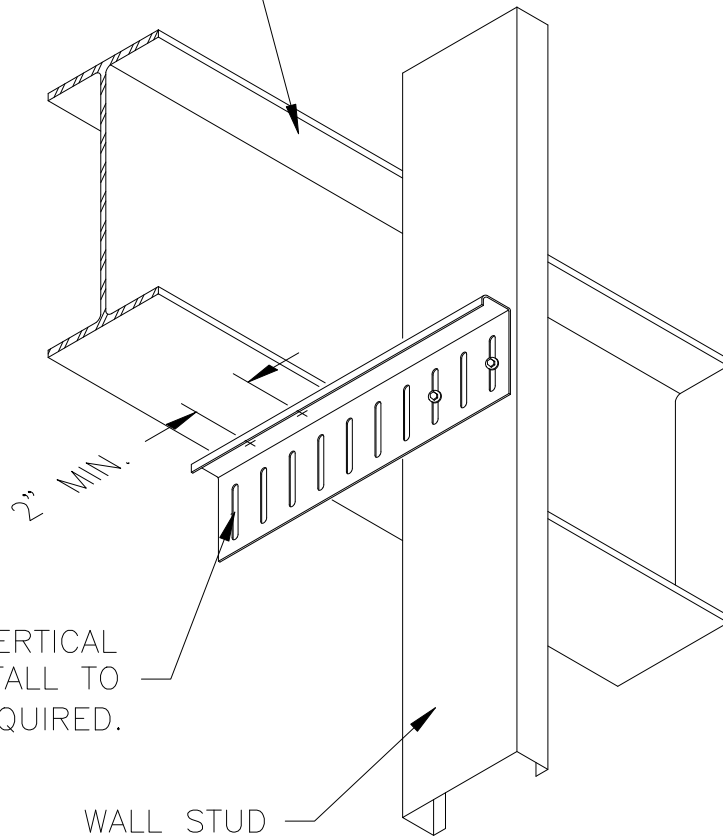


STRUCTURAL BEAM.  
(BY OTHERS)



MARINO\WARE OUTRIGGER VERTICAL  
SLIDE CLIP. INSTALL TO  
BEAM WITH P.A.F.'s AS REQUIRED.

WALL STUD

ENGINEER OF RECORD:  
PLEASE VERIFY TORSIONAL  
STABILITY OF BEAM.

FOR ATTACHMENT OF  
OUTRIGGER TO WALL STUDS:  
TIGHTEN SCREWS, THEN  
BACK OFF 1/2 TURN.

MODEL NO.	GAUGE (MIL) YIELD	BOX QUANTITY
OUTRIGGER	16 (54) 50ksi	25

OUTRIGGER VERTICAL SLIDE CONNECTION

**Marino\WARE**

**CURTAINWALL DETAIL**