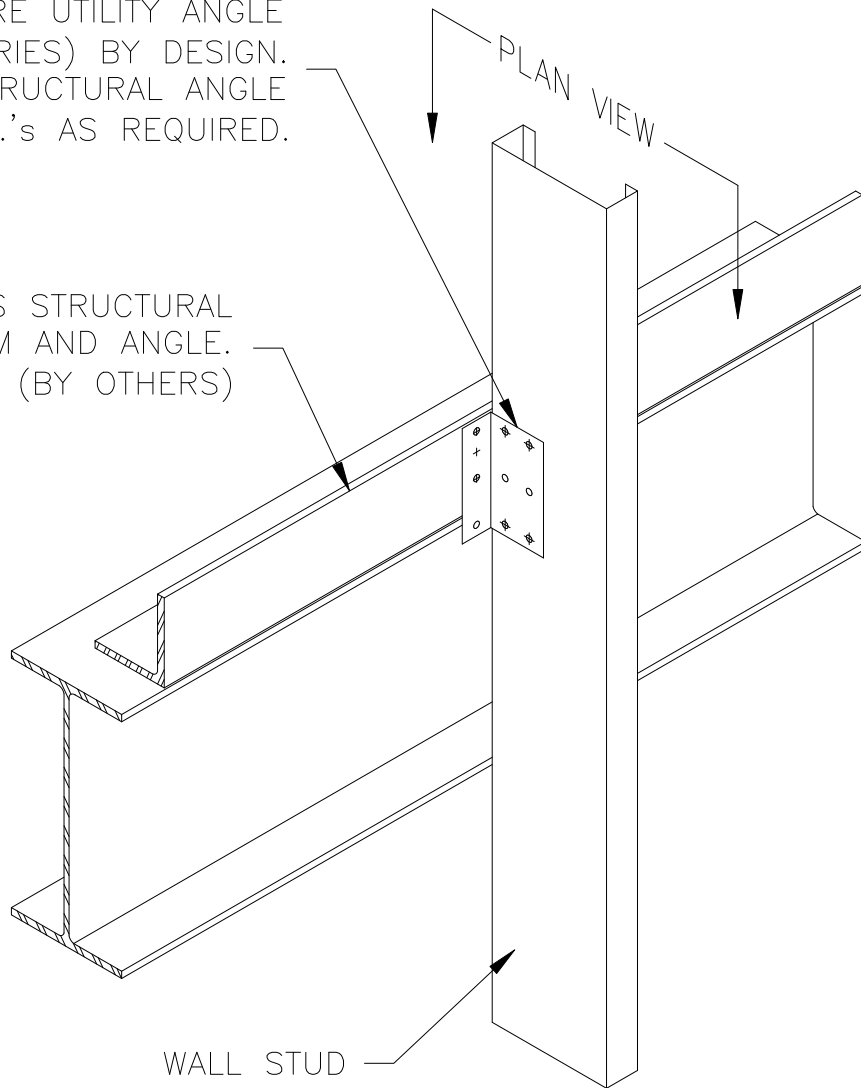
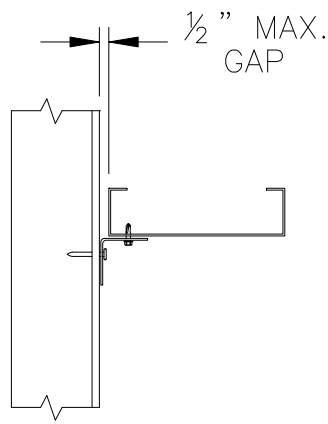


MARINO\WARE UTILITY ANGLE
(UA SERIES) BY DESIGN.
ATTACH TO STRUCTURAL ANGLE
WITH P.A.F.'s AS REQUIRED.

CONTINUOUS STRUCTURAL
BEAM AND ANGLE.
(BY OTHERS)



PLAN VIEW



PLAN VIEW

RIGID CONNECTION STUD ATTACHMENT

Marino\WARE

CURTAINWALL DETAIL