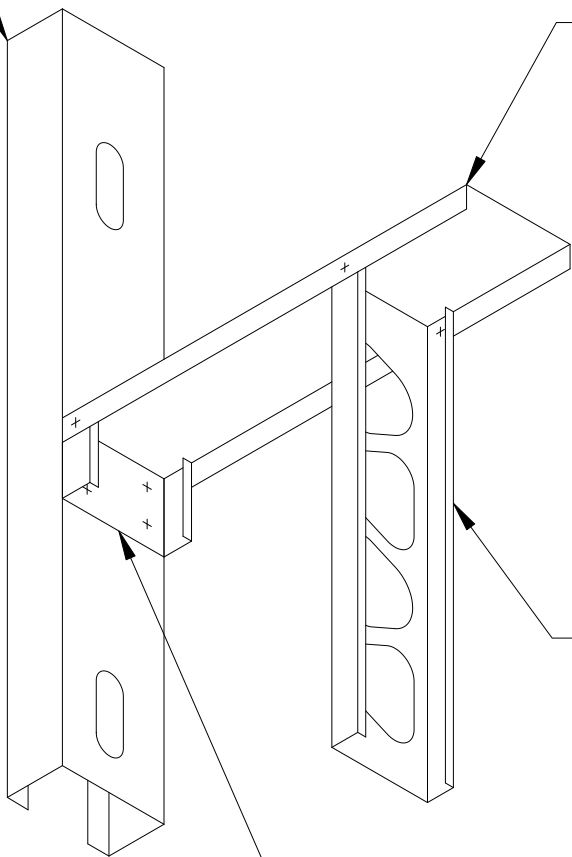


FULL HEIGHT  
QUICK FRAME JAMB

SILL TRACK  
MEMBER SIZE AS  
REQ'D. PER DESIGN.

StudRite  
CRIPPLE STUDS

6" LONG SECTION OF STUD ATTACHED  
TO JAMB w/(4)#10-16 SCREWS.



**Marino\WARE**  
**StudRite CURTAINWALL DETAIL**

SMALL OPENING SILL CONNECTION