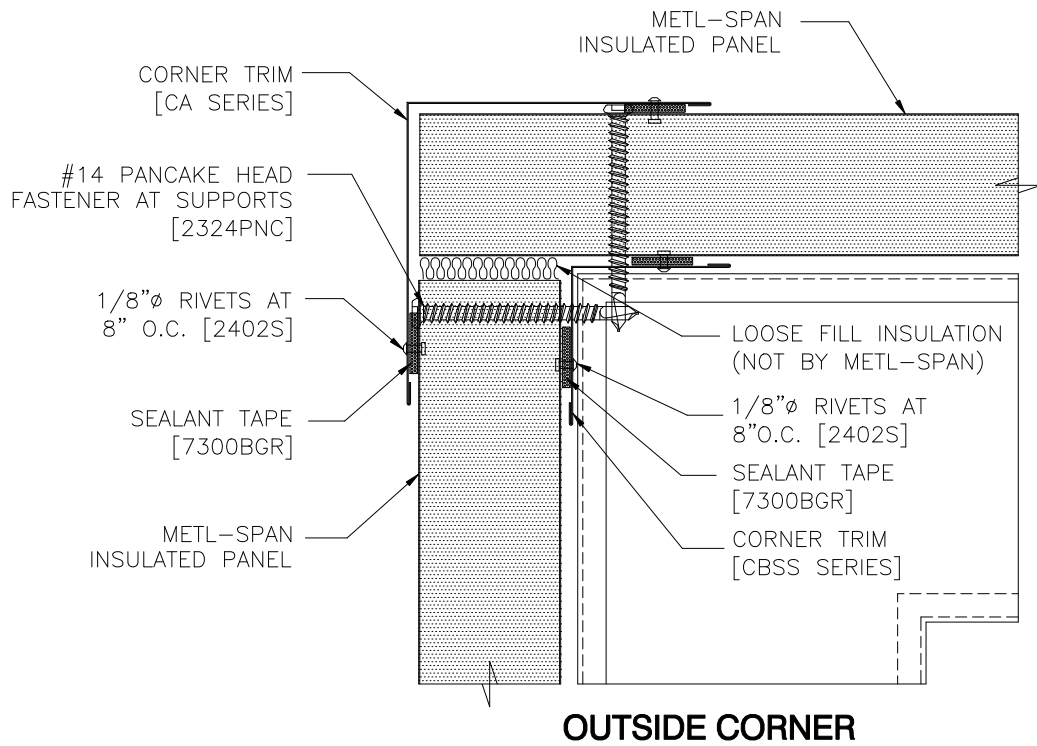


INSIDE CORNER



OUTSIDE CORNER

REFER TO SHEET "CI-INFO" FOR ADDITIONAL INFORMATION REGARDING THE APPLICATION OF SEALANTS, FASTENERS, AND CLOSURE MATERIALS. CONSULT METL-SPAN TO DETERMINE ALLOWABLE LOAD AND SPACING OF ATTACHMENT FASTENERS.

CORNER DETAIL

**APPLICATION:
COMMERCIAL & INDUSTRIAL**

2-CE-03

DATE: DECEMBER 19, 2008