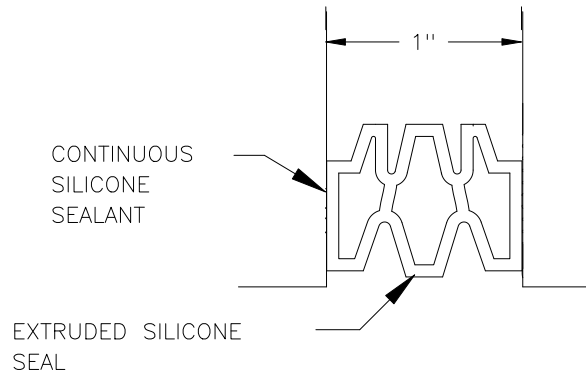
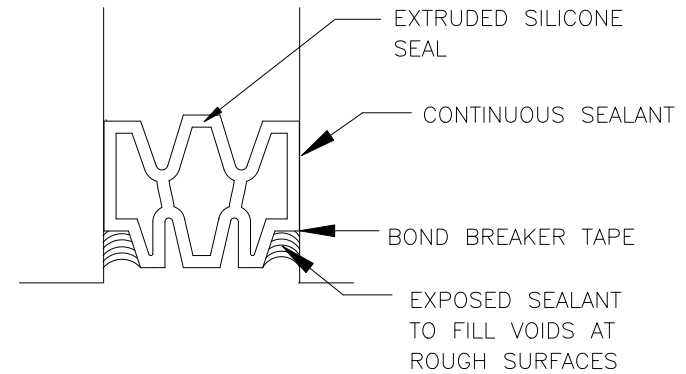


CE-100SX SILICONE COMPRESSION/EXTENSION SEAL



SMOOTH SURFACE APPLICATION



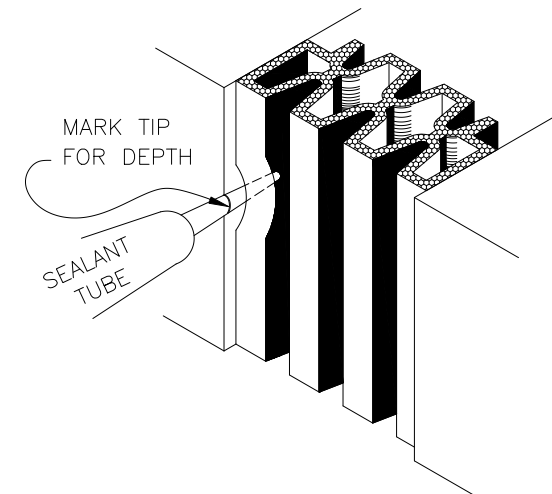
BRICK AND BLOCK APPLICATION

MOVEMENT: 1" JOINT

EXTRUDED SIZE	NOMINAL OPENING	COMPRESSION MINIMUM	EXTENSION MAXIMUM
1.25" X 0.75"	1"	.375 "	2"

GENERAL SPECIFICATIONS:

COMPRESSION SEALS ARE SEISMIC JOINT SEALS EXTRUDED FROM SILICONE AND AND PRODUCED BY THE MICHAEL RIZZA CO. THEY ARE SECURED WITH HIGH QUALITY COMPATIBLE SEALANT/ADHESIVES. (BY OTHERS)
THE SILICONE EXTRUSIONS MEET ASTM D2000, 4GE, 709,M, ARE UV STABILIZED AND DO NOT PROPAGATE FLAME. COLOR, AS SELECTED BY THE ARCHITECT.



NO PART OF THIS DESIGN MAY BE REPRODUCED OR COPIED IN ANY FORM OR BY ANY MEANS; GRAPHIC ELECTRONIC OR MECHANICAL, INCLUDING PHOTOCOPYING, WITHOUT WRITTEN PERMISSION OF THE DESIGNER.

MICHAEL RIZZA COMPANY INC. PO BOX 545 BORING, OREGON 97009 PHONE: 503-663-2418 FAX 503-663-9685	PROJECT	DATE:	JOB#:	DRG. NO.
JOB:		SCALE: NONE	DRAWN: JBD	