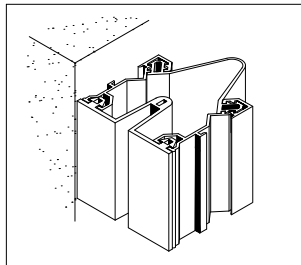
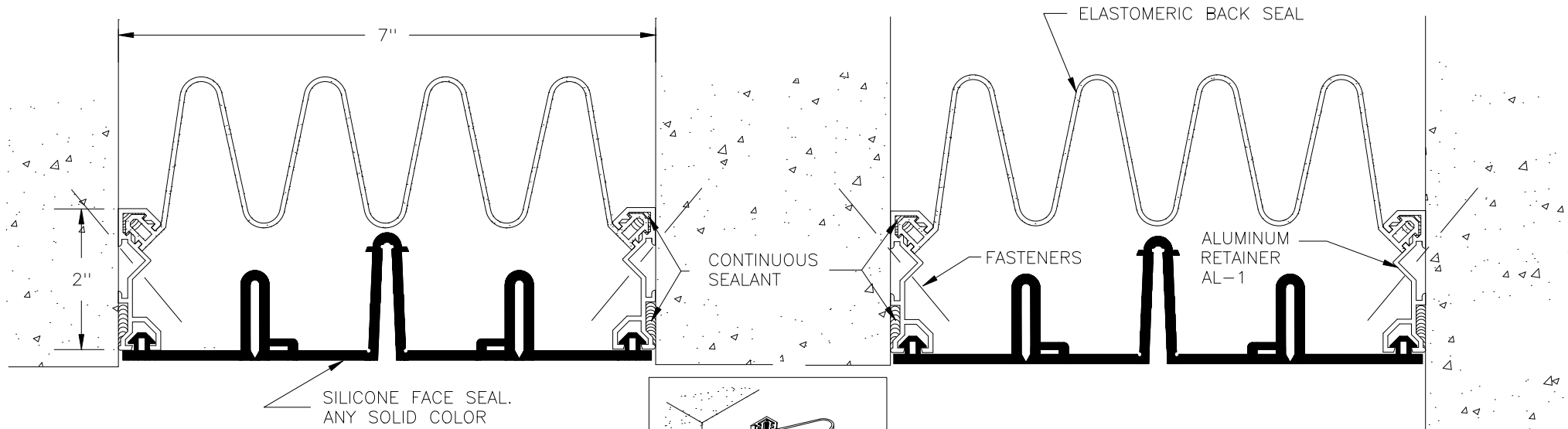


EXTERIOR VERTICAL SEAL SYSTEM. 7" (EV-7)



MOVEMENT 7" JOINT	
EXPANSION	COMPRESSION
10-1/2"	1-1/8"

GENERAL SPECIFICATIONS:

EV-SYSTEMS ARE SEISMIC EXPANSION JOINT SEALS EXTRUDED FROM SILICONE AND PRODUCED BY THE MICHAEL RIZZA CO. THE FACE AND ELASTOMERIC BACK SEAL ARE SECURED IN ALUMINUM RETAINERS USING A HIGH QUALITY SILICONE COMPATIBLE SEALANT.
 ALUMINUM EXTRUSIONS ARE 6063-T5 ALLOY AND TEMPER.
 SILICONE EXTRUSIONS MEET ASTM D2000, 4GE, 709, M, ARE UV STABILIZED AND DO NOT PROPAGATE FLAME. COLOR, AS SELECTED BY THE ARCHITECT.

FASTENERS:

MICHAEL RIZZA CO. RECOMMENDS THAT ALUMINUM RETAINERS BE MECHANICALLY FASTENED AT 18" O.C. INSTALLER SHALL DETERMINE APPROPRIATE FASTENERS (BY OTHERS) DEPENDENT ON STRUCTURAL MATERIAL. STRUCTURAL ADHESIVES (BY OTHERS) MAY BE USED IN CONJUNCTION WITH, OR IN PLACE OF, FASTENERS IF APPROVED BY ARCHITECT OR MICHAEL RIZZA CO. AND BE IN ACCORDANCE WITH SEALANT MANUFACTURER'S RECOMMENDATIONS.



NO PART OF THIS DESIGN MAY BE REPRODUCED OR COPIED IN ANY FORM OR BY ANY MEANS; GRAPHIC ELECTRONIC OR MECHANICAL, INCLUDING PHOTOCOPYING, WITHOUT WRITTEN PERMISSION OF THE DESIGNER.

MICHAEL RIZZA COMPANY INC. PO BOX 545 BORING, OREGON 97009 PHONE 503-663-2418 FAX 503-663-9685	PROJECT	DATE:	JOB#:	DRG. NO.
		SCALE: NONE	DRAWN: JBD	
JOB:				