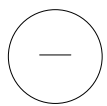
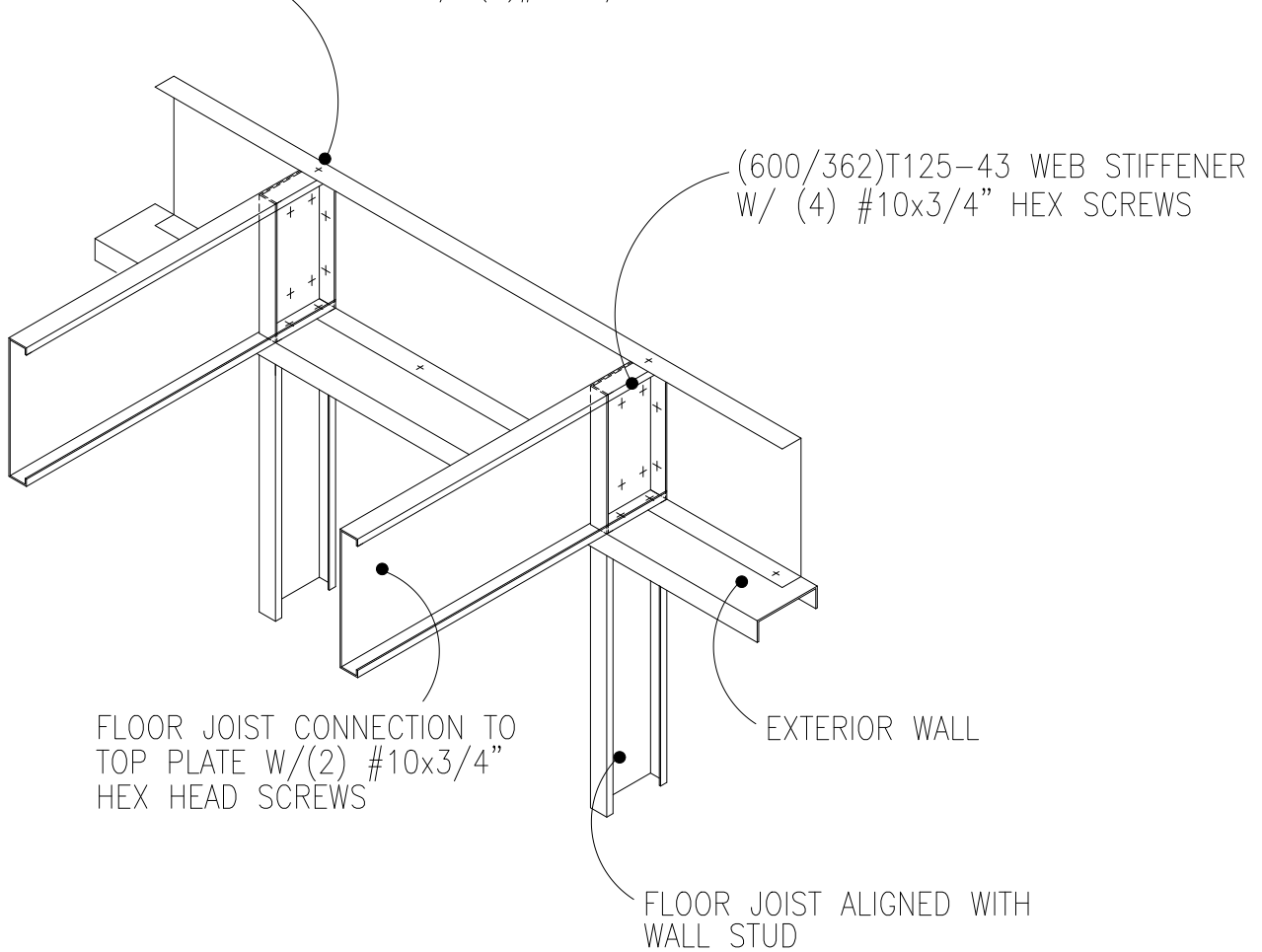


RIM TRACK W/(1) #10x3/4" PAN PH SCREW
 PER FLOOR JOIST AND W/(1)#10x3/4" HEX SCREW
 TO TOP PLATE @ 12" O.C.; ATTACH RIM TRACK
 TO WEB STIFFENER W/ (2)#10x3/4" PAN PH SCREWS



JOIST AT ENDWALL

N.T.S.

02-28-03

NUCONSTEEL™
 COMMERCIAL CORP.

PHONE: 940.891.3050
 FAX: 940.891.3073
 525 SOUTH LOCUST
 DENTON, TX 76201

2002 ALL RIGHTS RESERVED

This detail & or details represent proprietary material and are the property of NUCONSTEEL™ Commercial Corp. Reproduction, copying or utilization of this material in whole or in part is prohibited without prior written authorization from NUCONSTEEL™ Commercial Corp. a NUCOR company.

REVISIONS

REVISED BY	DESCRIPTION OF CHANGE	DATE
1 DLC	CHANGE TO STIFFENER CONFIG.	02-28-03

DETAIL #	FLF0006
FILE:	<i>Designer Share/Structural Details/FLF/FLF0006.DWG</i>

DRAWN BY: ORIG	CHK'D BY: SRC	DETAIL NAME:	REVISION
DATE: EXISTING	DATE: 02-28-03	JOIST AT ENDWALL	1